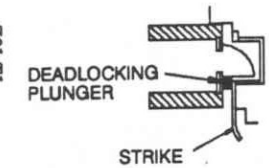


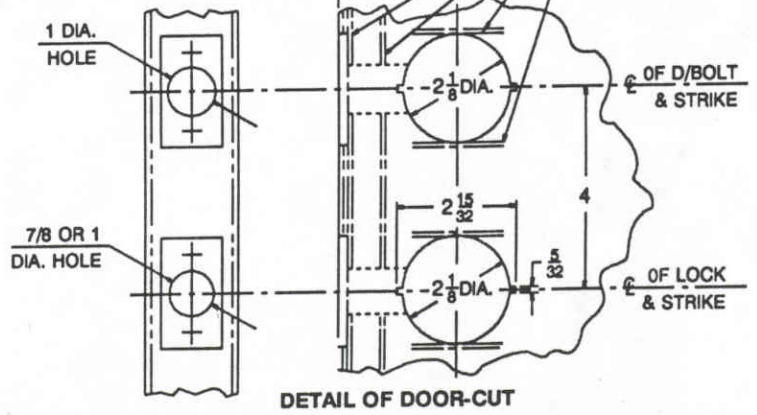
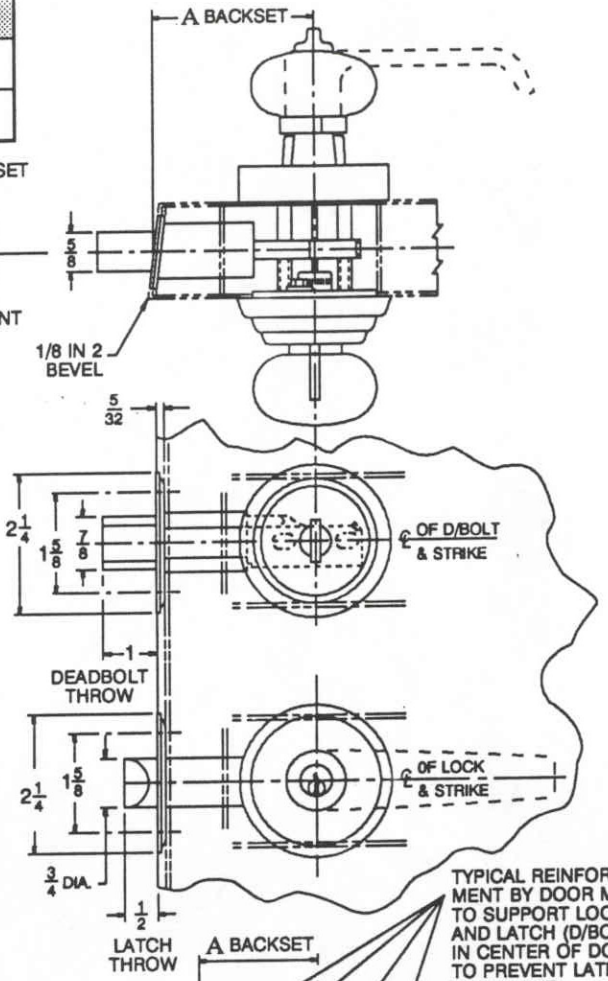
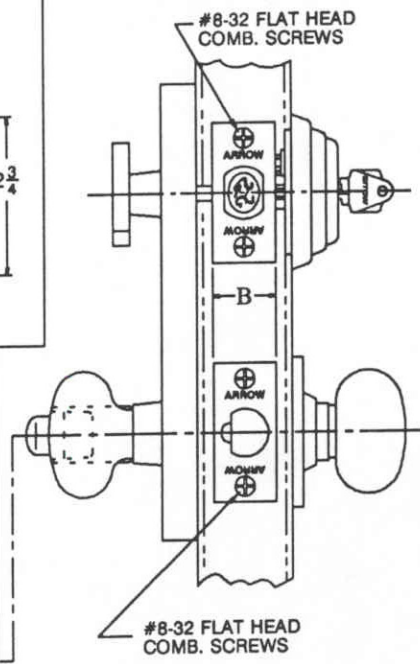
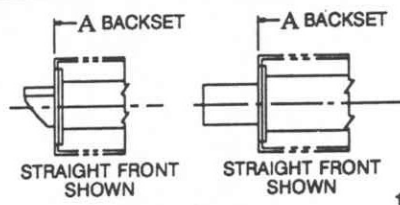
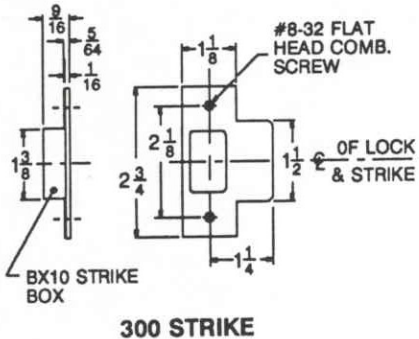
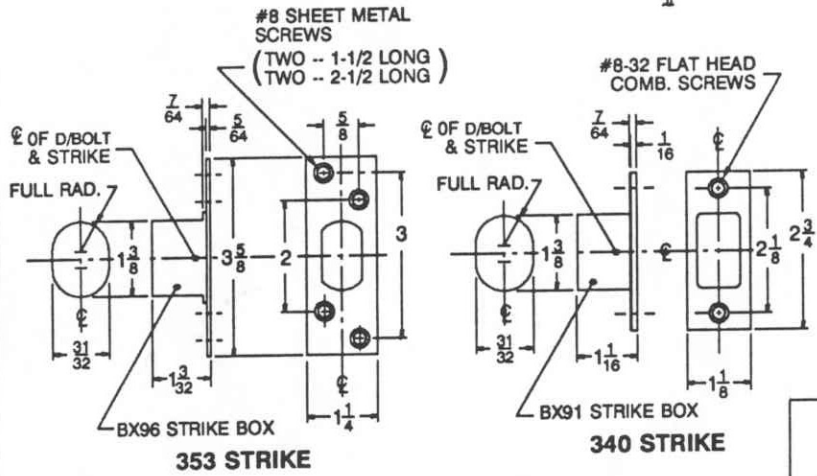
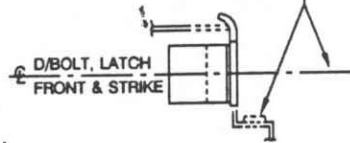
Z21-71

DESCRIPTION	DIMS	J SERIES
BACKSET	A	2 3/8 OR 2 3/4
WIDTH OF THE LATCH FRONT	B	1 OR 1 1/8



DOOR FRAME MANUFACTURER'S SHOULD PROVIDE THE REQUIRED CLEARANCE TO ALLOW BOLT OR LATCH TO ENTER STRIKE WHEN GASKETING OR SILENCERS ARE USED.

FOR PROPER INSTALLATION DEAD-LOCKING PLUNGER ON LATCH BOLT MUST STOP AGAINST STRIKE.



REV. & DATE
A 05-90

DO NOT SCALE

TEMPLATE NO.
11284

ARROW TEMPLATE

PRODUCT
J SERIES LOCK