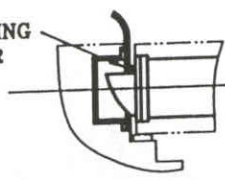


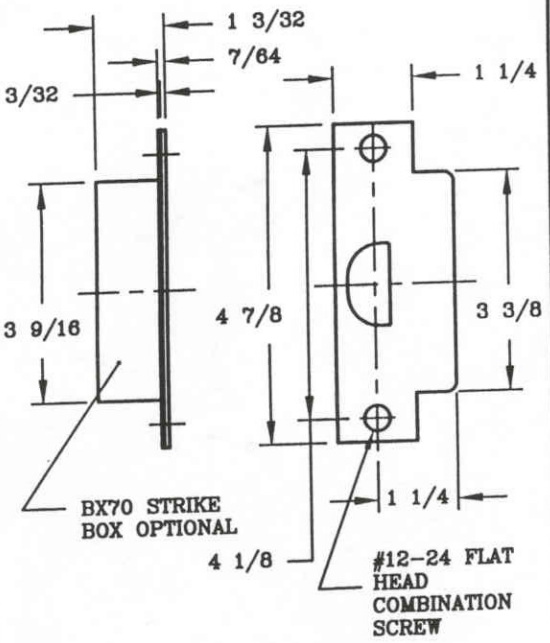
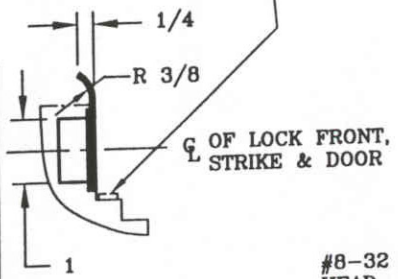
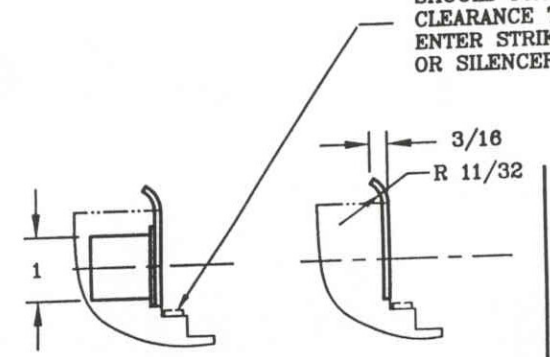
DESCRIPTION	D.	W SERIES
BACKSET	A	2 3/4, 3 3/4, 5

DOOR FRAME MANUFACTURER'S SHOULD PROVIDE THE REQUIRED CLEARANCE TO ALLOW BOLT TO ENTER STRIKE WHEN GASKETING OR SILENCERS ARE USED.

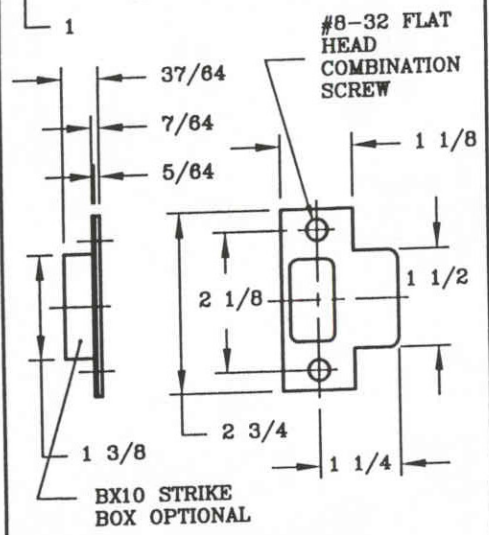
DEADLOCKING PLUNGER



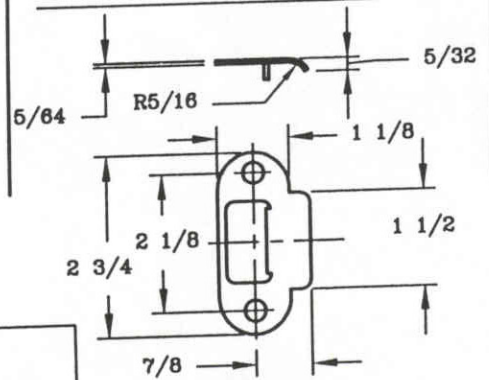
FOR PROPER INSTALLATION DEAD-LOCKING PLUNGER ON LATCH BOLT MUST STOP AGAINST STRIKE.



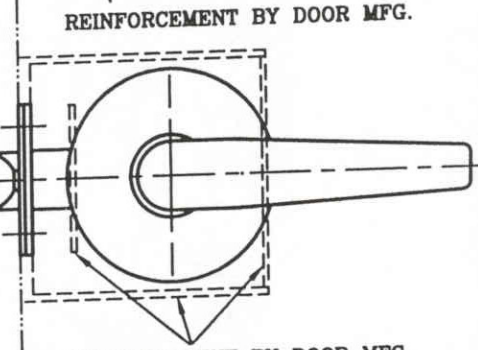
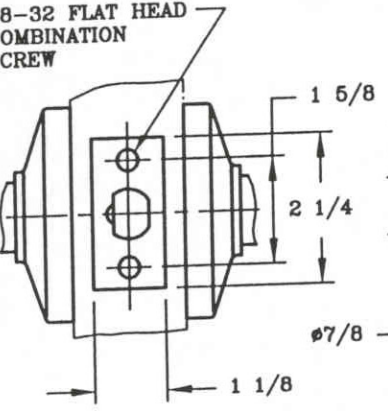
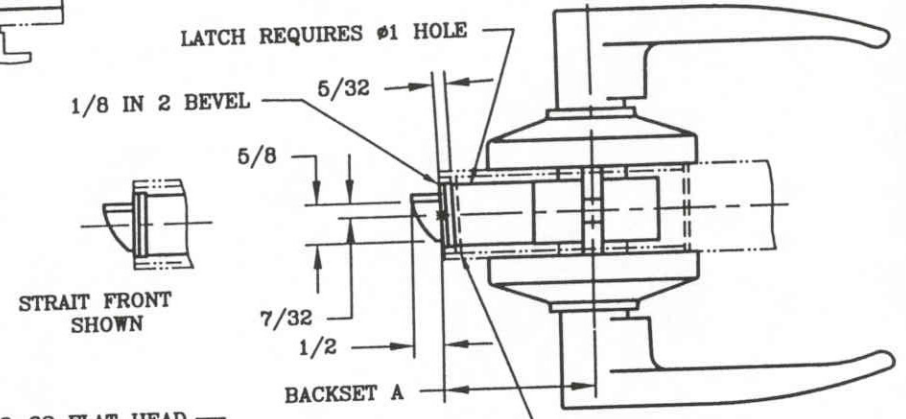
306 STRIKE



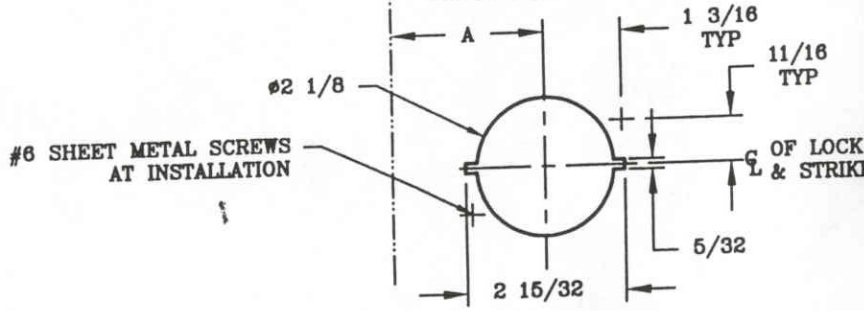
320 STRIKE



335 STRIKE



REINFORCEMENT BY DOOR MFG. TO SUPPORT LOCK AND LATCH IN CENTER OF DOOR TO PREVENT LATERAL MOVEMENT.



CUT OUT THRU DOOR

REV DATE TEMPLATE NO. 05.10.00 W-001

**DO NOT SCALE**

**ARROW TEMPLATE**

PRODUCT **W SERIES LOCK**