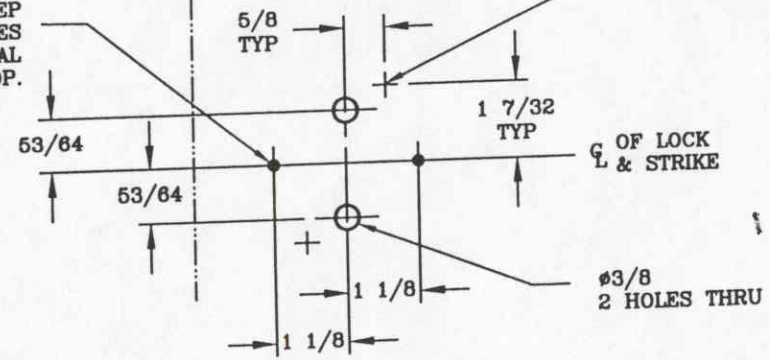


BACKSET
AS REQUIRED

REINFORCEMENT BY DOOR MFG.
TO SUPPORT LOCK AND LATCH IN
CENTER OF DOOR TO PREVENT
LATERAL MOVEMENT.

#6 SHEET METAL SCREWS
AT INSTALLATION
BOTH SIDES

Ø1/8x3/16 DEEP
2 HOLES BOTH SIDES
ALIGNMENT OF HOLES CRITICAL
OTHERWISE LEVERS WILL DROOP.



DOOR PREPARATION

| | | |
|--------|------|--------------|
| REV | DATE | TEMPLATE NO. |
| 031000 | | Q-003 |

DO NOT SCALE

ARROW TEMPLATE

PRODUCT
Q, M, W SERIES DOUBLE DUMMY TRIM