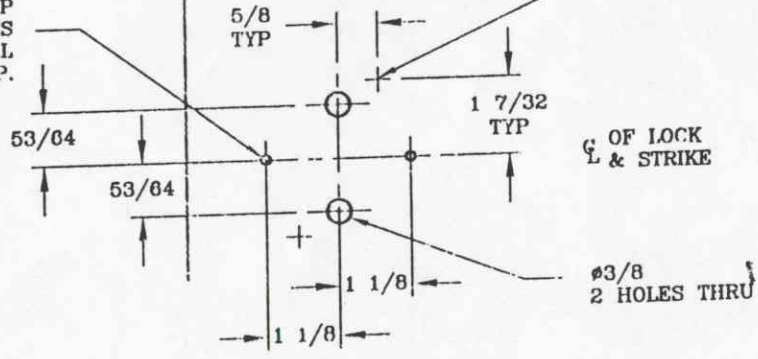


BACKSET  
AS REQUIRED

REINFORCEMENT BY DOOR MFG.  
TO SUPPORT LOCK AND LATCH IN  
CENTER OF DOOR TO PREVENT  
LATERAL MOVEMENT.

$\phi 1/8 \times 3/16$  DEEP  
2 HOLES  
ALIGNMENT OF HOLES CRITICAL.  
OTHERWISE LEVERS WILL DROOP.

#6 SHEET METAL SCREWS  
AT INSTALLATION



DOOR PREPARATION

REV	DATE	TEMPLATE NO.
03.10.00		Q-002

**ARROW** TEMPLATE

PRODUCT  
**Q. M. W** SERIES SINGLE DUMMY TRIM

DO NOT SCALE