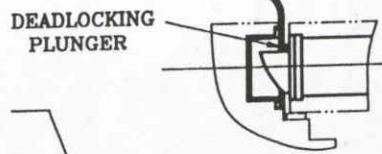


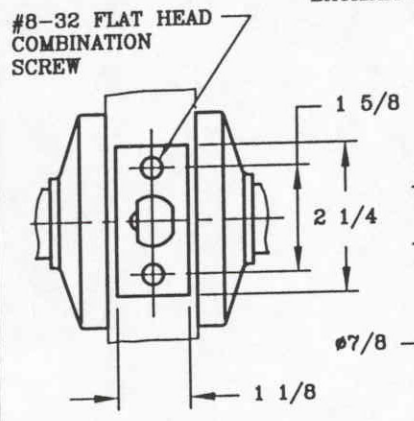
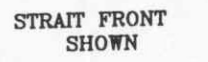
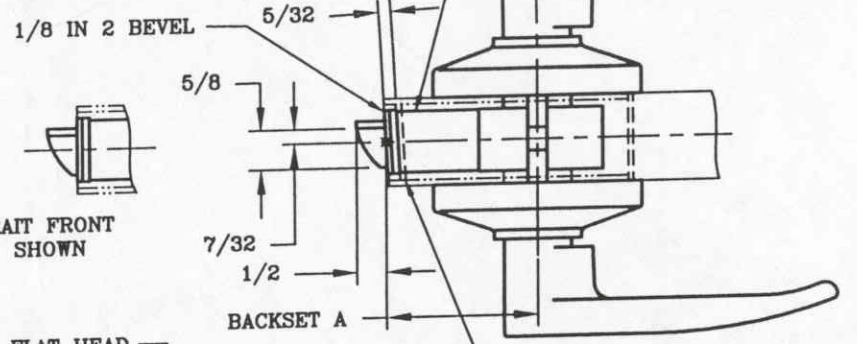
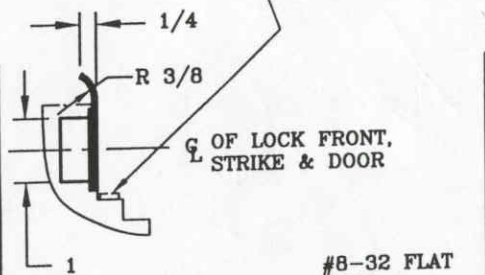
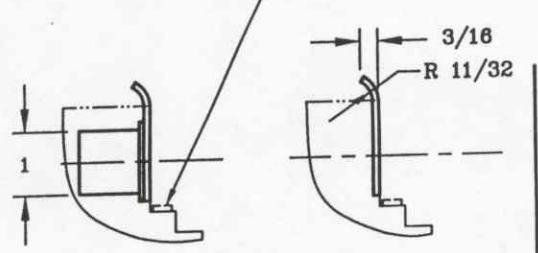
DESCRIPTION	DIM'L	Q SERIES
BACKSET	A	2 3/4, 3 3/4, 5

DOOR FRAME MANUFACTURER'S SHOULD PROVIDE THE REQUIRED CLEARANCE TO ALLOW BOLT TO ENTER STRIKE WHEN GASKETING OR SILENCERS ARE USED.



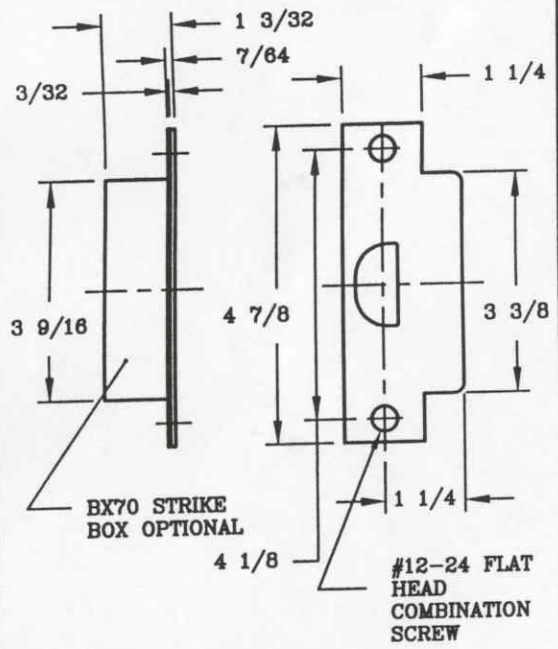
FOR PROPER INSTALLATION DEAD-LOCKING PLUNGER ON LATCH BOLT MUST STOP AGAINST STRIKE.

160,161 LATCHES REQUIRE #1 HOLE
164 LATCH REQUIRES #1 1/32 HOLE

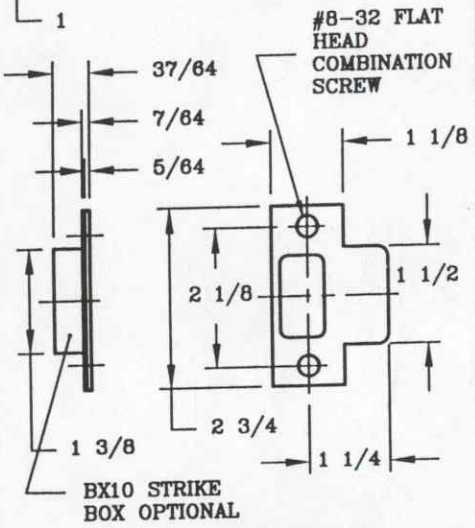


REINFORCEMENT BY DOOR MFG.

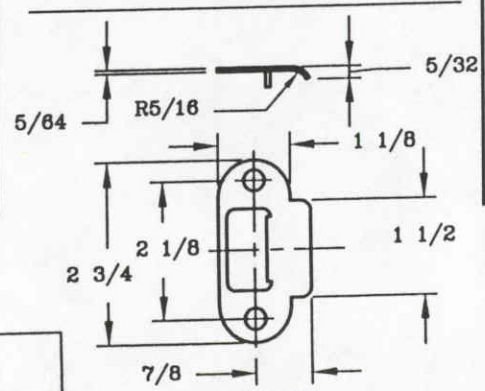
REINFORCEMENT BY DOOR MFG. TO SUPPORT LOCK AND LATCH IN CENTER OF DOOR TO PREVENT LATERAL MOVEMENT.



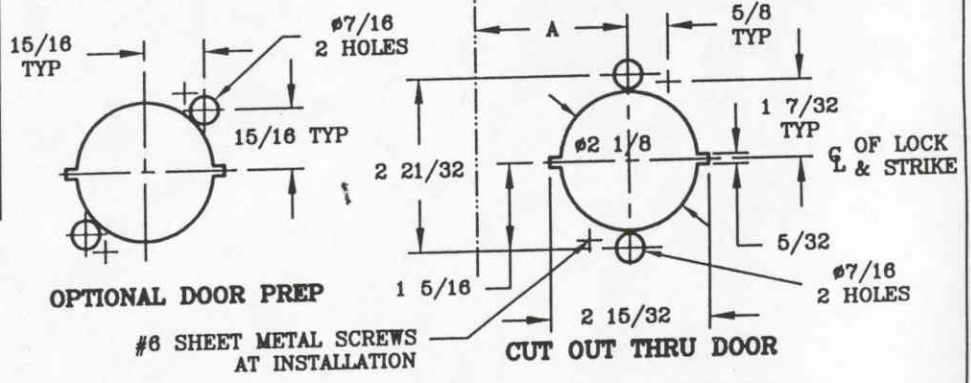
306 STRIKE



320 STRIKE



335 STRIKE



OPTIONAL DOOR PREP

REV 03.10.00
DATE
Q-001

DO NOT SCALE
ARROW TEMPLATE
PRODUCT Q SERIES LOCK