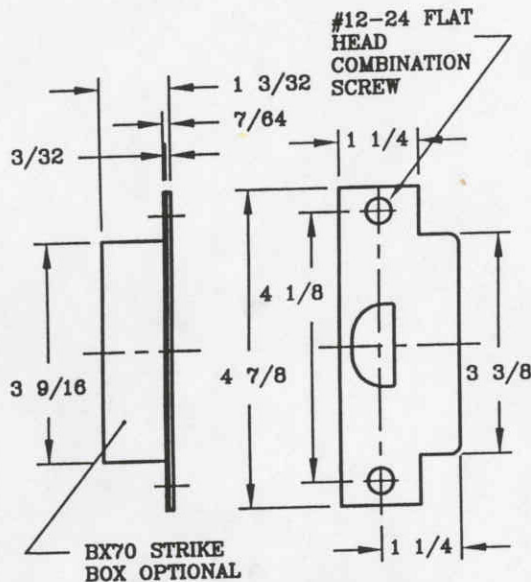
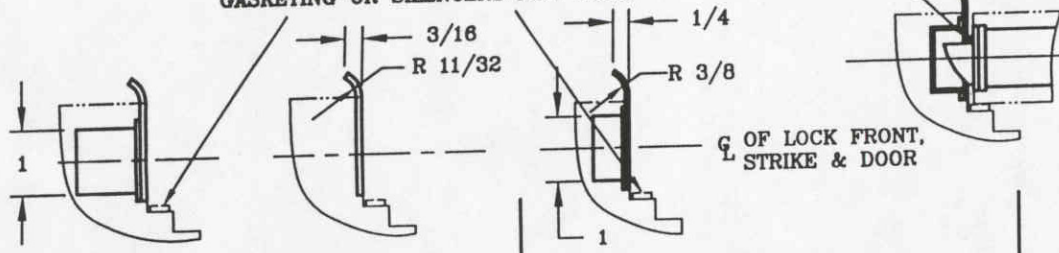


DESCRIPTION	DIM'S	& L SERIES
BACKSET	A	2 3/8, 2 3/4, 3 3/4, 5
LATCH FRONT WIDTH	B	1 OR 1 1/8

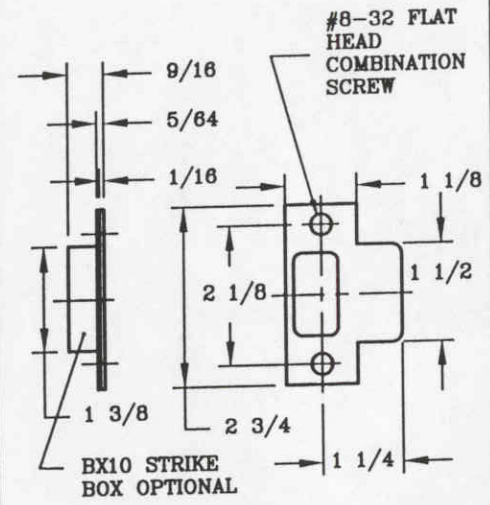
DOOR FRAME MANUFACTURER'S SHOULD PROVIDE THE REQUIRED CLEARANCE TO ALLOW BOLT TO ENTER STRIKE WHEN GASKETING OR SILENCERS ARE USED.

DEADLOCKING PLUNGER

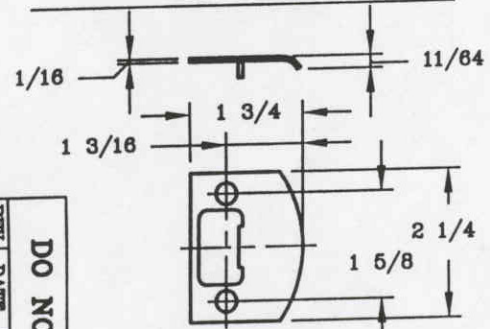
FOR PROPER INSTALLATION DEAD-LOCKING PLUNGER ON LATCH BOLT MUST STOP AGAINST STRIKE.



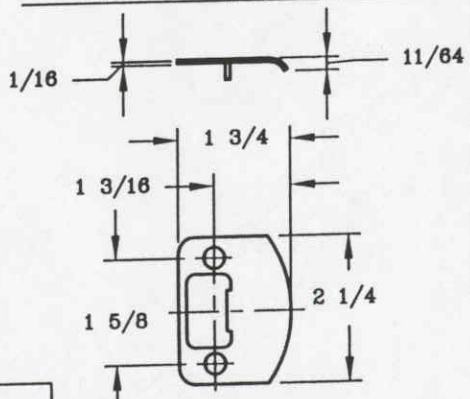
306 STRIKE



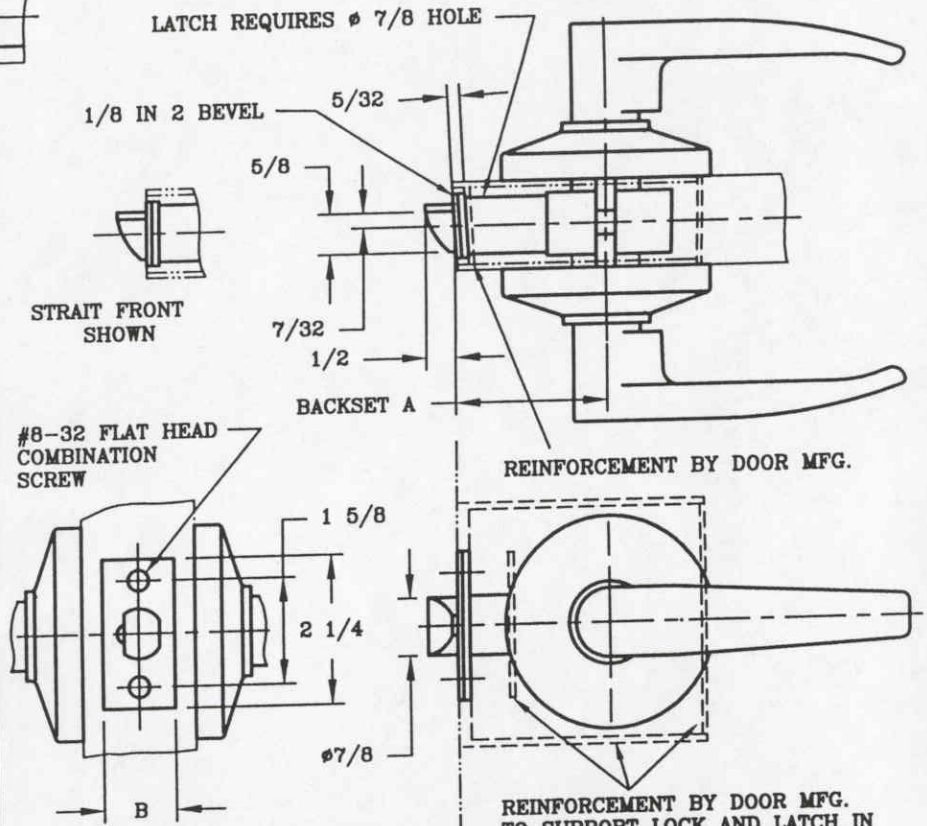
300 STRIKE



302 STRIKE



303 STRIKE



#8 SHEET METAL SREWS AT INSTALLATION

CUT OUT THRU DOOR

REV DATE
05.10.00

DO NOT SCALE

TEMPLATE NO.
ML-001

ARROW TEMPLATE

PRODUCT
M & L SERIES LOCK (lever handle)