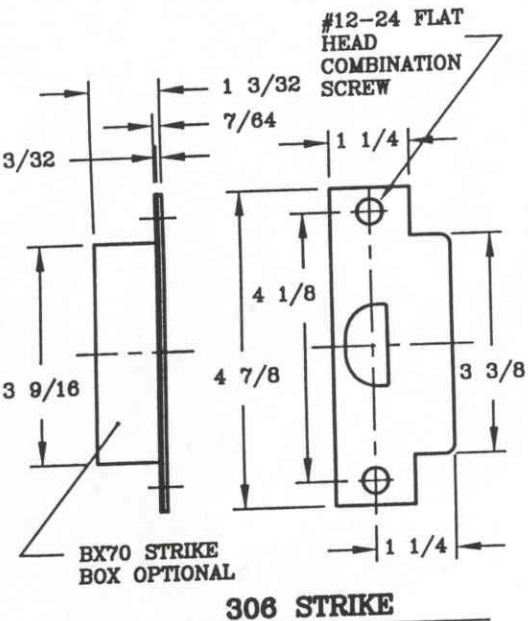
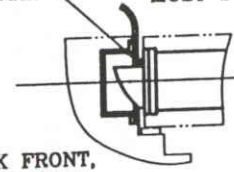
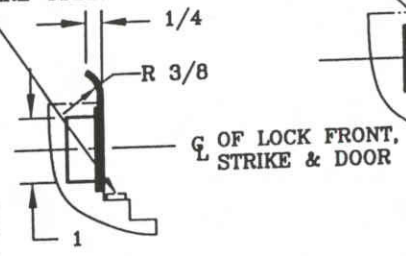
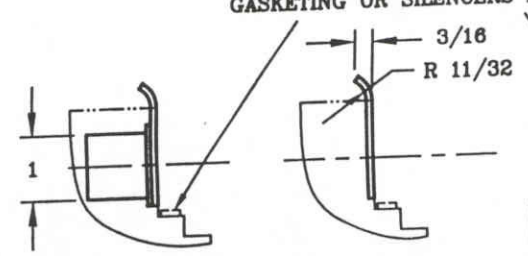


DOOR FRAME MANUFACTURER'S SHOULD PROVIDE THE REQUIRED CLEARANCE TO ALLOW BOLT TO ENTER STRIKE WHEN GASKETING OR SILENCERS ARE USED.

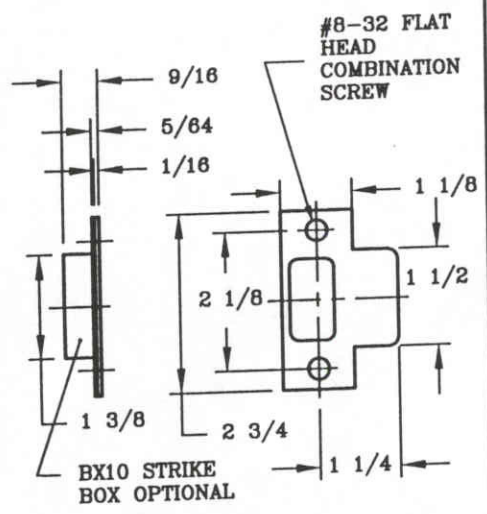
DEADLOCKING PLUNGER

FOR PROPER INSTALLATION DEAD-LOCKING PLUNGER ON LATCH BOLT MUST STOP AGAINST STRIKE.

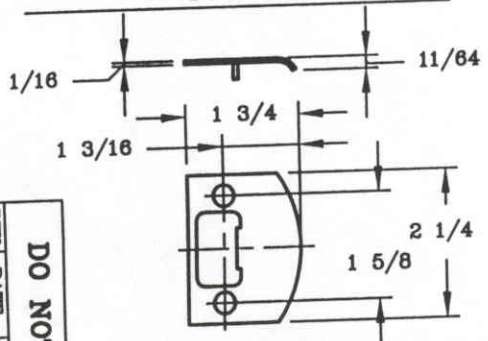
DESCRIPTION	DIM'S	M SERIES
BACKSET	A	2 3/8, 2 3/4, 3 3/4, 5
LATCH FRONT WIDTH	B	1 OR 1 1/8



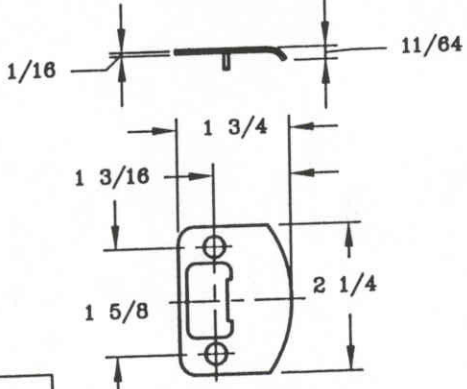
306 STRIKE



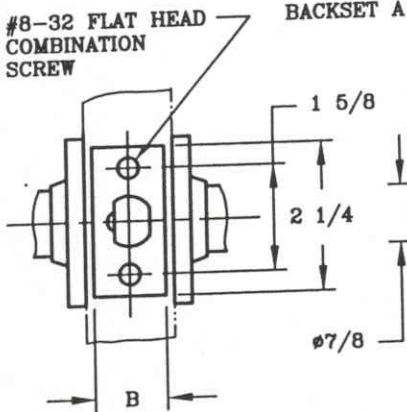
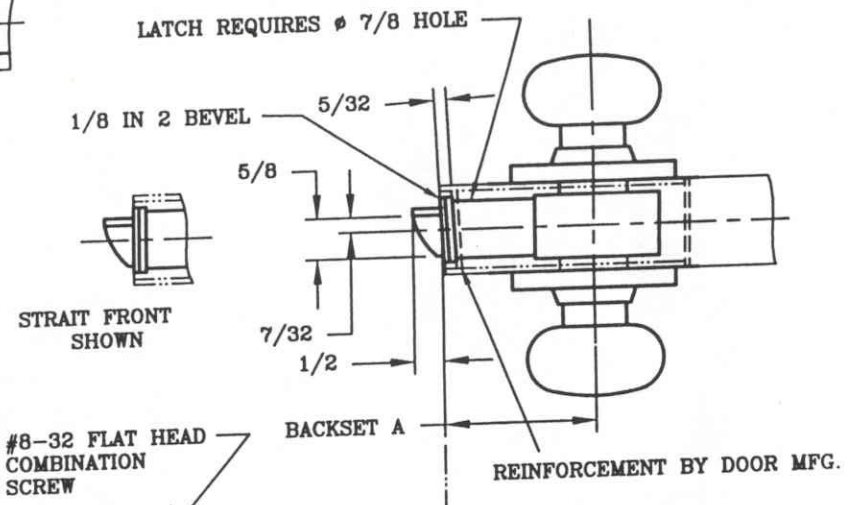
300 STRIKE



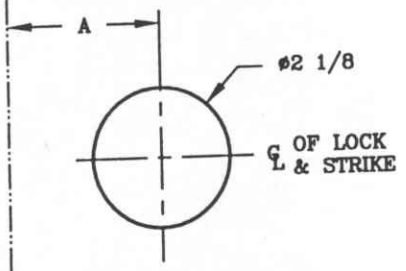
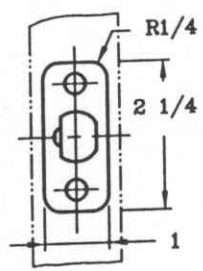
302 STRIKE



303 STRIKE



REINFORCEMENT BY DOOR MFG. TO SUPPORT LOCK AND LATCH IN CENTER OF DOOR TO PREVENT LATERAL MOVEMENT.



CUT OUT THRU DOOR

REV DATE TEMPLATE NO.  
03.10.00 M-001

DO NOT SCALE

ARROW TEMPLATE

PRODUCT M SERIES LOCK (knob)