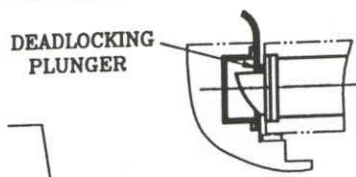
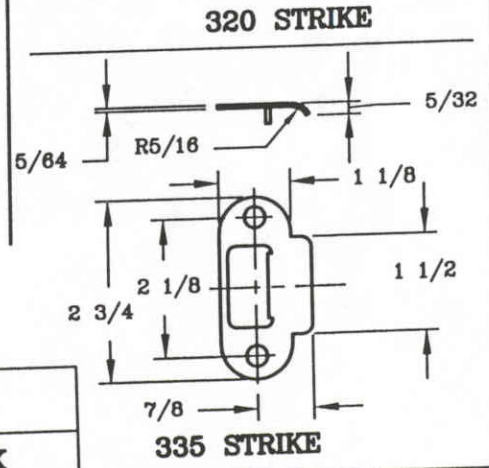
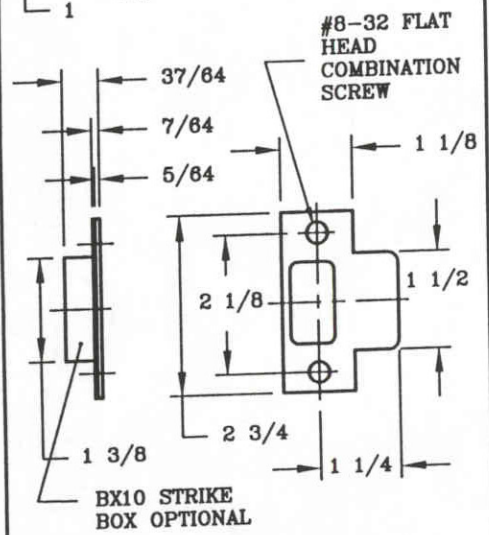
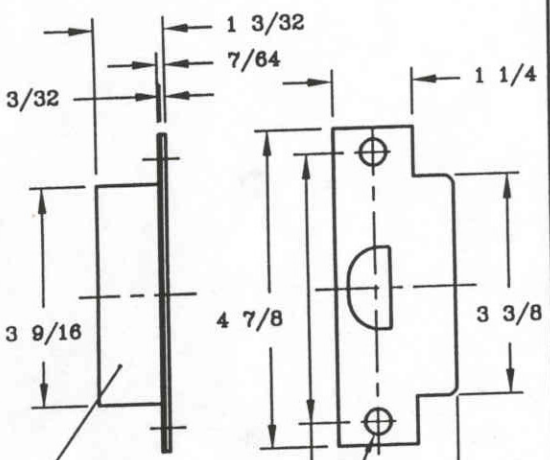
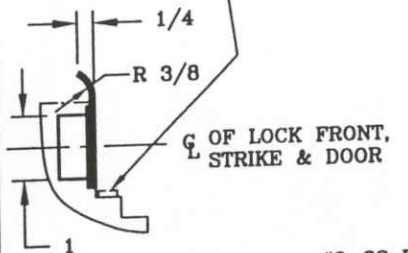
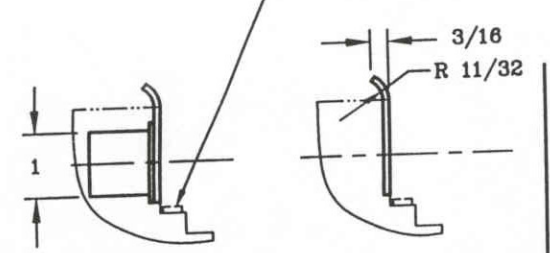


DESCRIPTION	Dim. d	Q SERIES
BACKSET	A	2 3/4, 3 3/4, 5

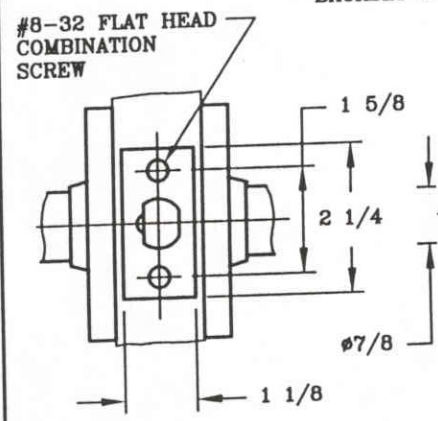
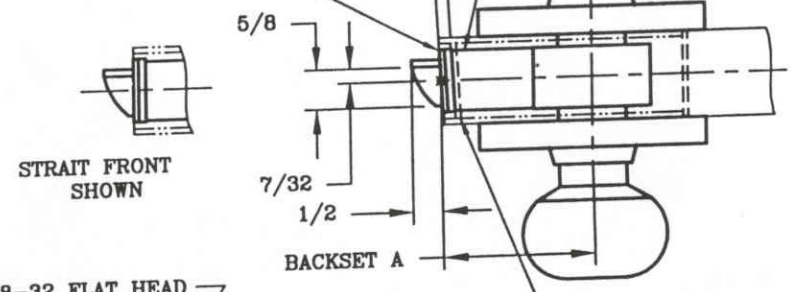
FOR PROPER INSTALLATION DEAD-LOCKING PLUNGER ON LATCH BOLT MUST STOP AGAINST STRIKE.



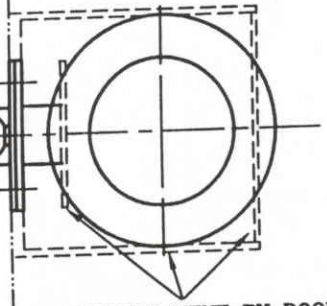
DOOR FRAME MANUFACTURER'S SHOULD PROVIDE THE REQUIRED CLEARANCE TO ALLOW BOLT TO ENTER STRIKE WHEN GASKETING OR SILENCERS ARE USED.



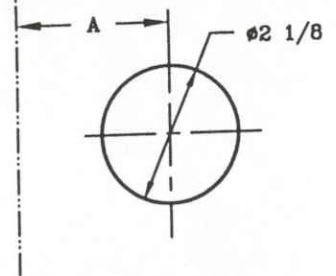
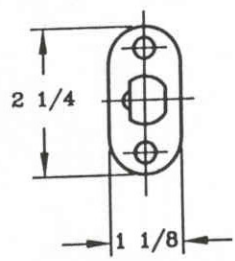
160,161 LATCHES REQUIRE  $\phi 1$  HOLE  
164 LATCH REQUIRES  $\phi 1 \frac{1}{32}$  HOLE  
1/8 IN 2 BEVEL



REINFORCEMENT BY DOOR MFG.



REINFORCEMENT BY DOOR MFG. TO SUPPORT LOCK AND LATCH IN CENTER OF DOOR TO PREVENT LATERAL MOVEMENT.



CUT OUT THRU DOOR

REV DATE TEMPLATE NO.  
03.10.00 H-001

**DO NOT SCALE**

**ARROW TEMPLATE**

PRODUCT **H & S SERIES LOCK**