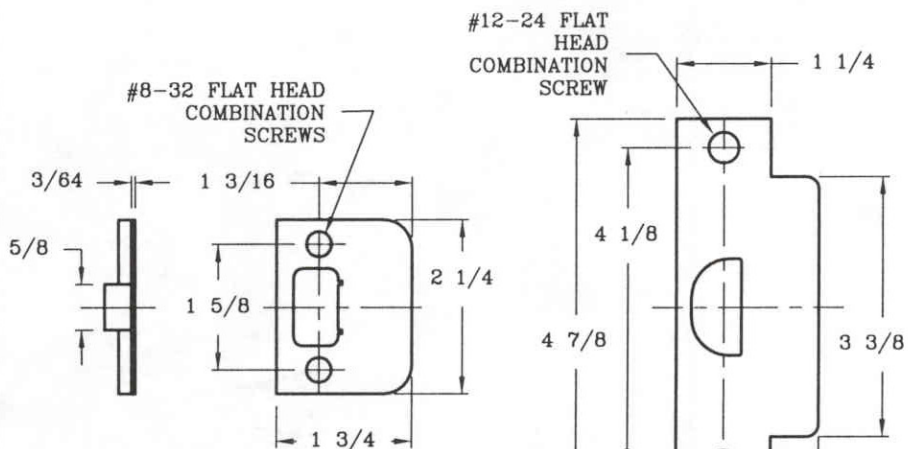
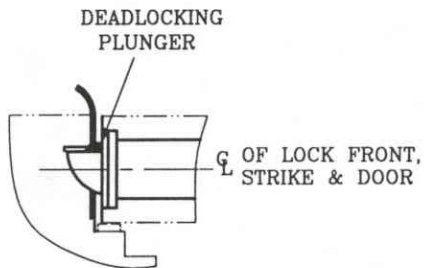
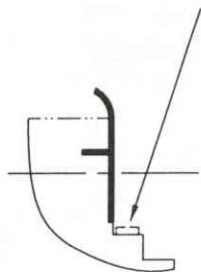
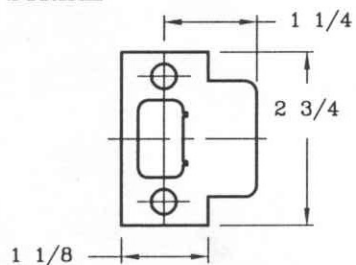


DOOR FRAME MANUFACTURER'S SHOULD PROVIDE THE REQUIRED CLEARANCE TO ALLOW BOLT TO ENTER STRIKE WHEN GASKETING OR SILENCERS ARE USED.

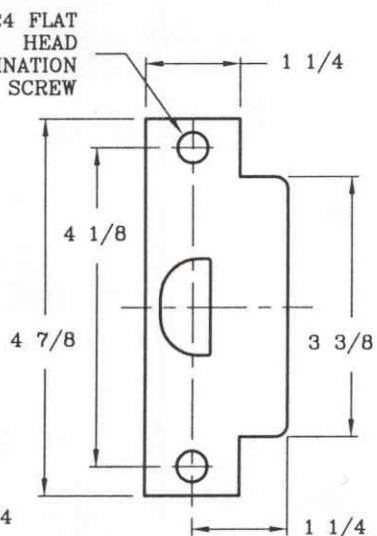
FOR PROPER INSTALLATION DEAD-LOCKING PLUNGER ON LATCH BOLT MUST STOP AGAINST STRIKE.



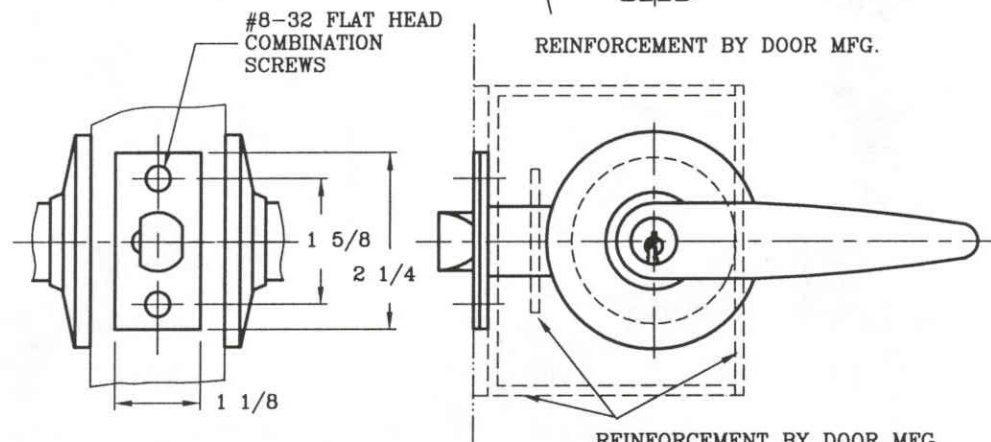
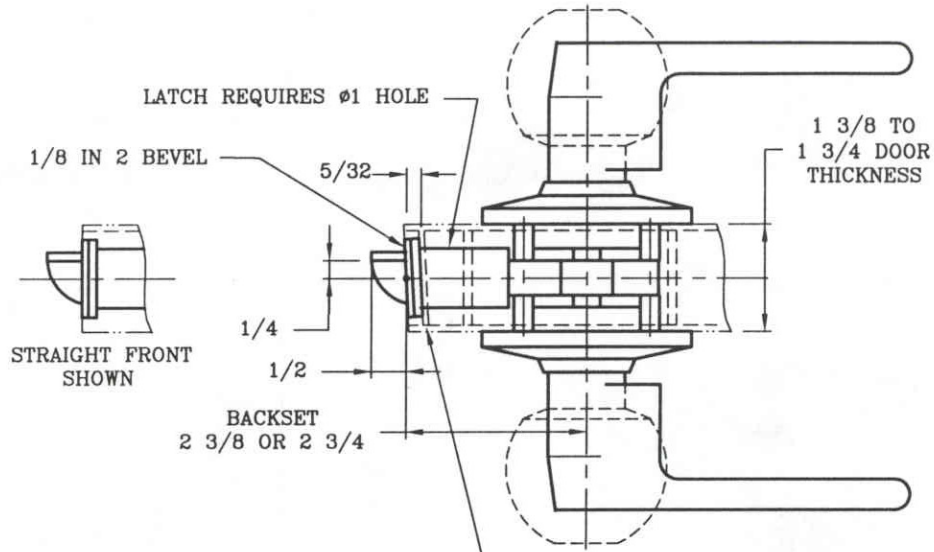
502 STRIKE



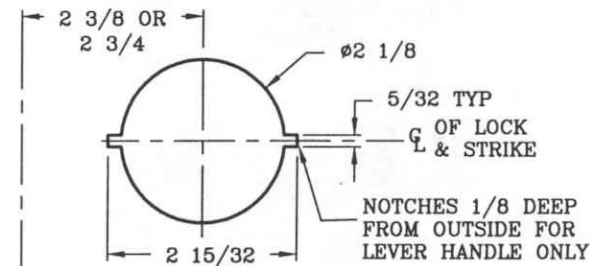
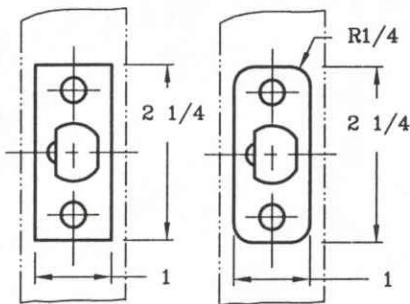
500 STRIKE
T ANSI 115.3



506 STRIKE
ASA ANSI 115.2



REINFORCEMENT BY DOOR MFG. TO SUPPORT LOCK AND LATCH IN CENTER OF DOOR TO PREVENT LATERAL MOVEMENT.



CUT OUT THRU DOOR

DO NOT SCALE

REV DATE TEMPLATE NO.

A 08.07.00 C-001

ARROW TEMPLATE

PRODUCT C SERIES LOCK