

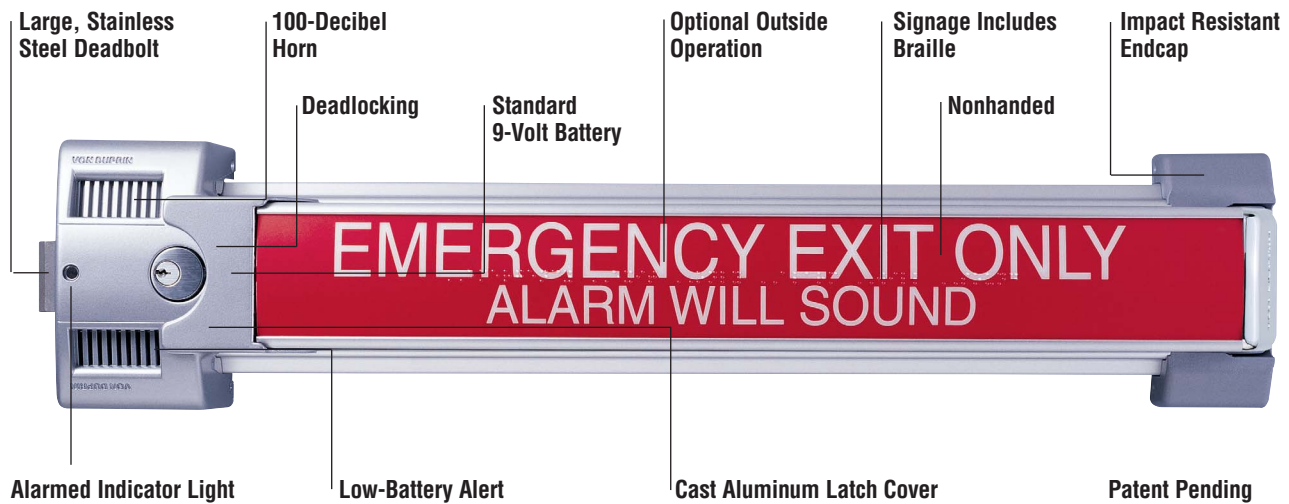
VON DUPRIN®

GUARD-X Exit Alarm Lock



IR Security & Safety
Proven Source. Proven Solutions.™

GUARD-X



GUARD-X provides secure, alarmed code-compliant protection for secondary exits.

GUARD-X exit alarm lock readily identifies the door on which it is mounted as an emergency exit and secures the opening against unauthorized use. It is ideal for deterring theft in restaurants and retail establishments such as: discount stores, grocery stores, drug stores, clothing stores and sporting goods stores.

Heavy-Duty Design

The new Series 2670 Exist Alarm Lock provides secure protection through a large stainless steel deadbolt, which is 2" x 1/2" (51mm x 13mm) and has over a 3/4" (19mm) throw. The engagement area into the strike is over 1-1/4 (32mm) square inches. The cast aluminum latch case protects the internal mechanism and resists tampering or vandalism from inside the door. This unit has been tested to withstand up to 1600 pounds of static load force against the door.

Security

GUARD-X does not allow relatching or resetting the alarm after an unauthorized exit, other than by an authorized person with a key. A 100-decibel alarm provides a clear, attention-getting warning for an unauthorized exit or attempted exit. The armed indicator light informs the owner that the alarm is armed, and an audible low-battery alert signals the owner to replace the battery when necessary.

Compliance

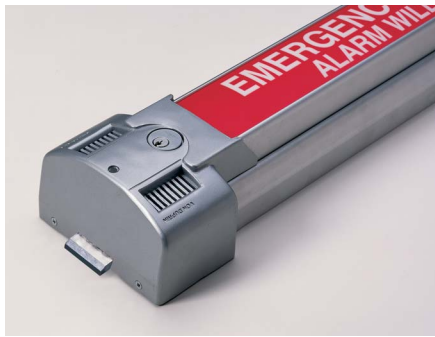
GUARD-X complies with the NFPA 101® Life Safety Code "the actuating portion of which extends across at least one half of the door leaf." It is UL listed for Panic Exit Hardware (UL305) including the ends of the crossbar or push pad shall curve, guard, or are otherwise designed to prevent catching on the clothing of persons during exit" for use on Emergency Exit applications, and tested in accordance to ANSI A156.3 Grade 1 Panic Hardware (250,000 cycles).

Installation takes just a few minutes with an easy-to-use adhesive back template. The product's nonhanded design means the installer can mount it for either hand by just removing and reversing the "Emergency Exit — Alarm Will Sound" sign built into the device. The standard warning sign is in English with Braille; French and Spanish are available.

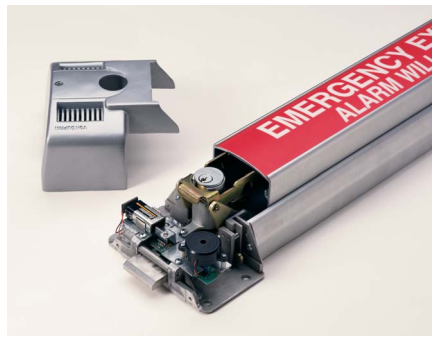
Operation and Outside Trim

GUARD-X is armed and disarmed by key, using a standard rim cylinder. For owner convenience, it can be operated from the building exterior by a standard rim cylinder, so an authorized user can easily arm and disarm it to enter or exit the building when required. When using exterior operation, a pull trim is recommended, use 210DT or 230DT. Rim cylinders are not furnished and must be ordered separately.

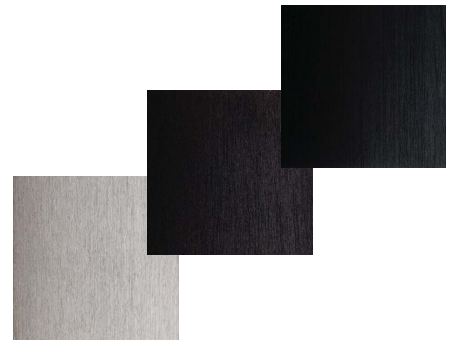
A standard 9-volt battery powers the alarm. An exterior 9-volt power supply is available, Model PT-790, a 120VAC plug-in. When using the external power supply, the 9-volt battery functions as a battery backup during a power failure.



Large 2" x 1/2" stainless steel deadbolt provides maximum security. A Standard rim cylinder is used to arm or disarm lock.



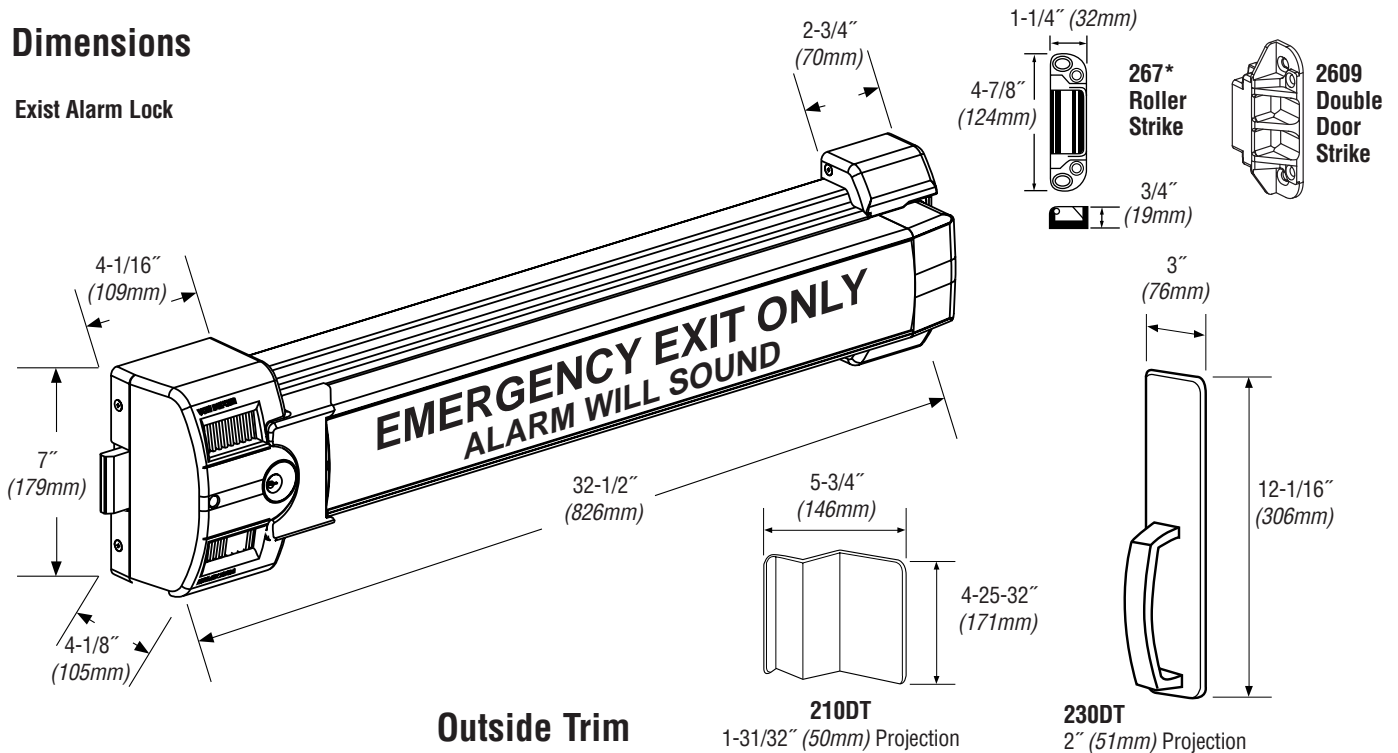
Heavy-duty construction provides long service life.



Three finishes available, including aluminum (US28), anodized duranodic dark bronze (313AN/710) and anodized black (315AN).

Dimensions

Exist Alarm Lock



Touchbar height to finished floor	40" (1016mm) at center
Door width range	36" (914mm) to 48" (1219mm)
Touchbar projection —	
neutral	4-1/8" (103mm)
depressed	2-3/4" (70mm)
Latch case housing	7" (179mm) x 4-1/16" (103mm) x 4-1/8" (105mm)
Device length	32-1/2" (826mm)

Finishes — US28 (Aluminum), 313AN (Duranodic Brown), 315AN (Black)

How-To Order

1. Model number 2670 (includes strike, screw pack and battery)
2. Finish — US28, 313AN or 315AN
3. French or Spanish sign, when required. English with Braille is standard.

Accessories

4. Sex nuts and bolts (6 #325) — when required
5. PT990 9-volt External Power Supply — when required
6. 210DT x 050140 or 230DT x 050140 — when required
7. 3216 Rim Cylinder, when required

*2609 double door strike available.

VON DUPRIN®

GUARD-X Exit Alarm Lock

International Offices

Canada / Latin America

IR Security & Safety
1076 Lakeshore Road East
Mississauga, Ontario,
L5E 1E4, Canada
(905) 403-1800
(905) 278-1413 FAX
(877) 590-4734

North-East Asia

IR Security & Safety
23/F, 625 King's Road
Northpoint, Hong Kong
+(852) 2235-0600
+(852) 2565-1409 FAX

South-East Asia / Australia / NZ

IR Architectural Hardware Ltd.
P.O. Box 19-347
437 Rosebank Road,
Avondale, Auckland, New Zealand
+64 (0) 9-829-0550
+64 (0) 9-829-0552 FAX
www.irarchitecturalhardware.co.nz

Mexico

IR Security & Safety
Blvd. Centro Industrial No. 11
Puentes de Vigag, Tlalnepanitla
Estado de Mexico, 54070 Mexico
+525-5-8503-6614

Europe / Middle-East / Africa

IR Security & Safety Ltd.
Bescot Crescent
Walsall, West Midlands WS1 4DL
United Kingdom
+44 (0)1922 707400
+44 (0)1922 646303 FAX
www.irsecurityandsafety.co.uk



Visit Von Duprin on the web
www.vonduprin.com
or contact an
IR Security & Safety Consultant
1-877-840-3621



VON DUPRIN

Administrative Offices
2720 Tobey Dr.
Indianapolis, IN 46219
317-613-8944
317-613-8302 Fax

Customer Service
800-999-0408
800-999-0328 Fax

An **IR** Ingersoll Rand business