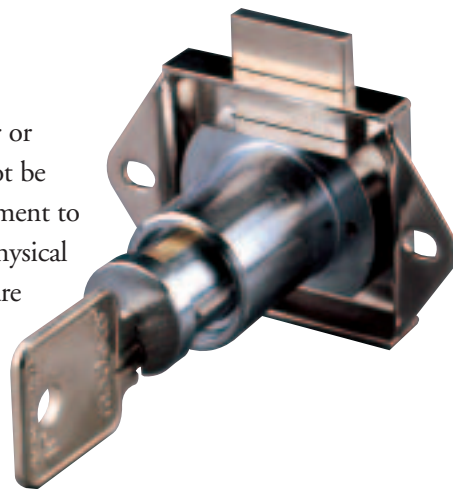


Cabinet Locks

Medeco® high security cabinet locks are specifically designed for drawer or cabinet door applications where a conventional utility cam lock may not be suitable. Cabinet locks utilize heavy-duty bolts and multi-point attachment to the mounting surface in order to withstand the heavy use and higher physical security some applications may require. All Medeco cabinet locks feature solid brass and steel construction, available in either fixed or removable core. Patented key programs prevent the unauthorized duplication of keys and maintain system integrity. Keyed alike, keyed different, or master keyed, Medeco offers either spring latch or deadbolt models to meet your specific needs.



The Medeco³ unique design provides triple locking action, making the locks virtually pick proof. All Medeco³ keys and locks are protected under patent, trademark, and copyright laws. Medeco³ keys may only be duplicated by Medeco or by an authorized Medeco Service Center, and only at your request.

Benefits:

- ▼ Medeco high security cabinet locks are constructed of durable machined brass and solid steel components.
- ▼ Available in either fixed or removable core depending on your specific requirements.
- ▼ Available in either deadbolt or spring latch models.
- ▼ Unique elevating and rotating tumbler pin system is virtually pick proof.
- ▼ Patented Medeco³ keys may only be duplicated by Medeco or authorized Medeco Service Center, and only at your request.
- ▼ Medeco cabinet locks are completely serviceable, and can be re-keyed in case of lost or stolen keys
- ▼ Medeco cabinet locks can be keyed in with other 60 series products (10 series products may be keyed into existing 60 series systems)
- ▼ Locks can be keyed alike, keyed different, or master keyed depending on your specific needs.

Applications:

Medeco high security cabinet locks are specifically designed for use in metal or wooden drawer and cabinet door applications including medical and narcotics chests and cabinets, showcases, cash carts and drawers.

Warranty:

Warranted for two years against manufacturer's defects. See Medeco limited Warranty for full details.

Certification:

UL® 437 Listed

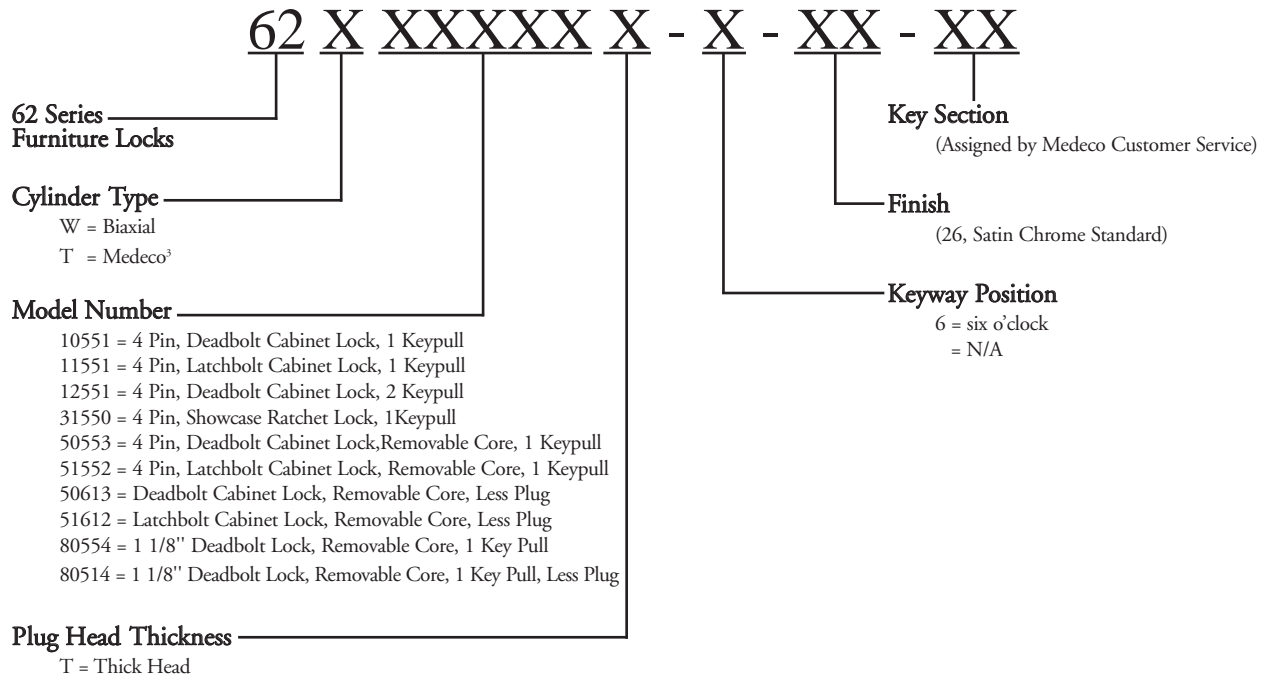
Technical Information:

Four pin models available in either deadbolt or spring latch versions. 7/8" diameter, surface mount, fixed or removable core available. Deadbolt fixed core available in non-key retaining. Keyed alike, keyed different, or master keyed.

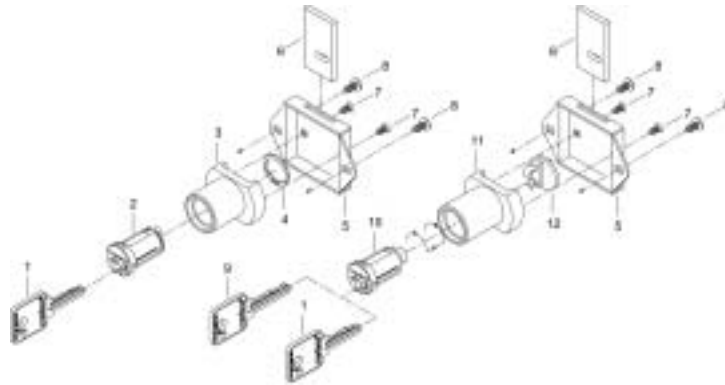
Finishes:

26 Satin chrome finish standard. Other finishes available, depending on volume.

Ordering Instructions



MEDECO® DEADBOLT CABINET LOCKS



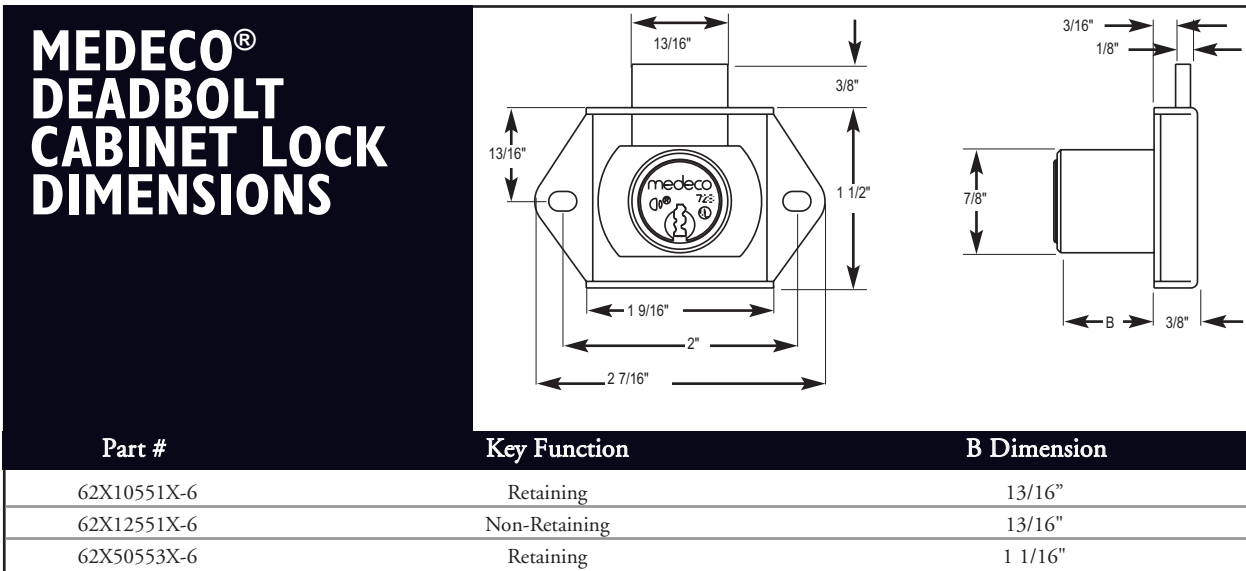
ITEM	DESCRIPTION
1	Operating Key (4 Pin key for operating lock).
2	Plug Assembly
3	Shell
4	Retaining Ring
5	Case, Deadbolt
6	Deadbolt
7	4-40 Assembly Screw
8	6-20 Mounting Screw
9	Control Key (5 Pin key for removing core).
10	Plug Assembly
11	Shell
12	Drive Adaptor, Deadbolt

Technical Drawings

Specifications: Medeco deadbolt cabinet locks come in either a key retaining or non-key retaining format, and are designed for surface mount installations on wood or metal panels. Available in either standard or quick change removable core versions, Medeco deadbolt cabinet locks are completely servicable and can be re-keyed to new codes as required.

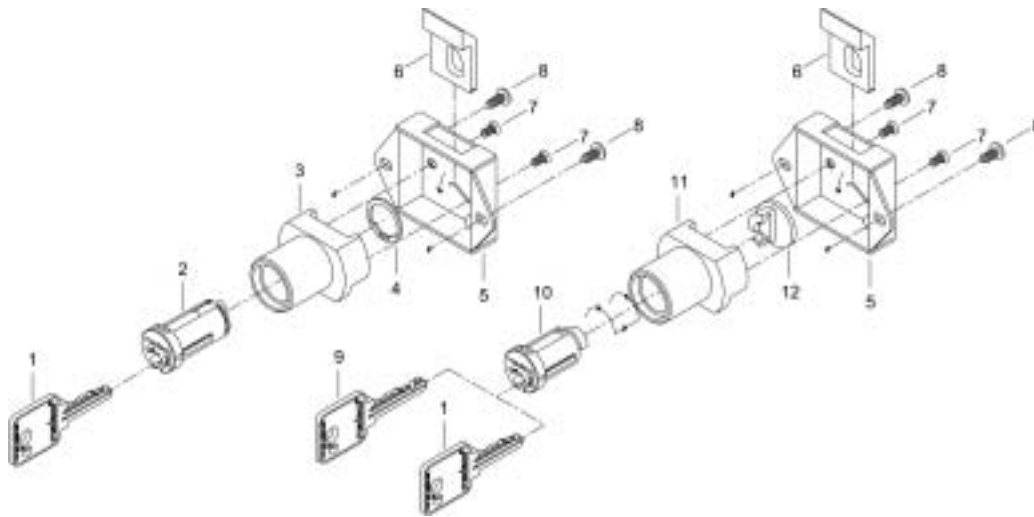
Material: The Cylinder is constructed from half hard brass and chrome plated finish (US626) is standard. Case and bolt are both nickel-plated steel.

Operation: Four pin, key retaining or non-key retaining cylinder for standard version (removable core only) available in key retaining. 180° clockwise rotation to fully retract bolt.



Exploded View

MEDECO® LATCHBOLT CABINET LOCKS



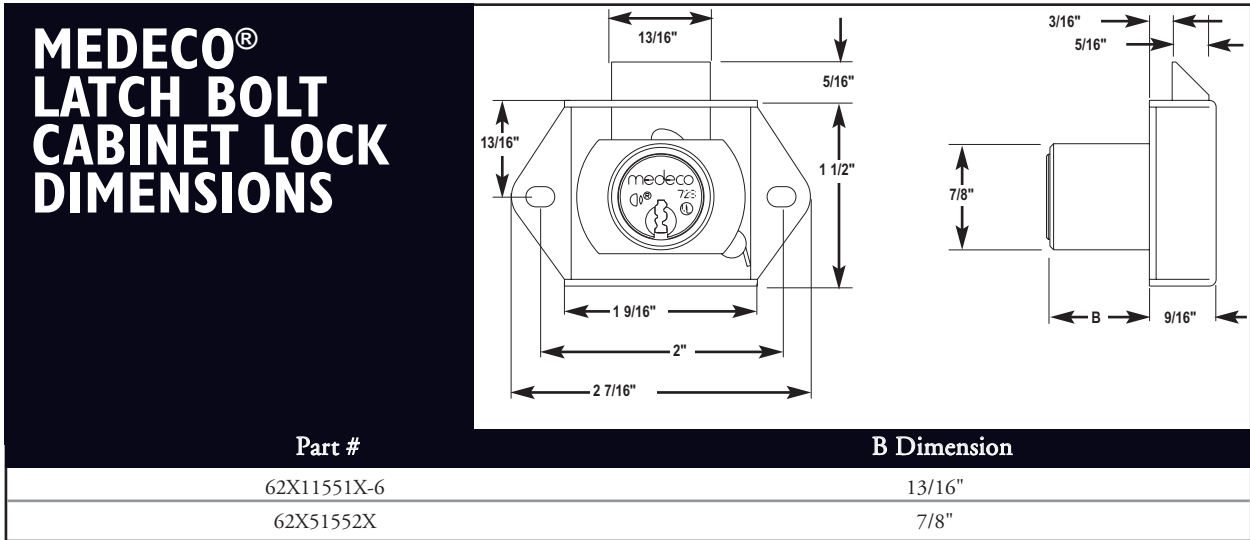
ITEM	DESCRIPTION
1	Operating Key (4 Pin key for operating lock).
2	Plug Assembly
3	Shell
4	Retaining Ring
5	Case, Latch Bolt
6	Latch Bolt
7	4-40 Assembly Screw
8	6-20 Mounting Screw
9	Control Key (5 Pin key for removing core).
10	Plug Assembly
11	Shell
12	Drive Adaptor

Technical Drawings

Specifications: Medeco self-locking, latch bolt cabinet locks are designed for surface mount installations on wood or metal panels. Available in either standard or quick change removable core versions, Medeco latch bolt cabinet locks are completely servicable and can be re-keyed to new codes as required.

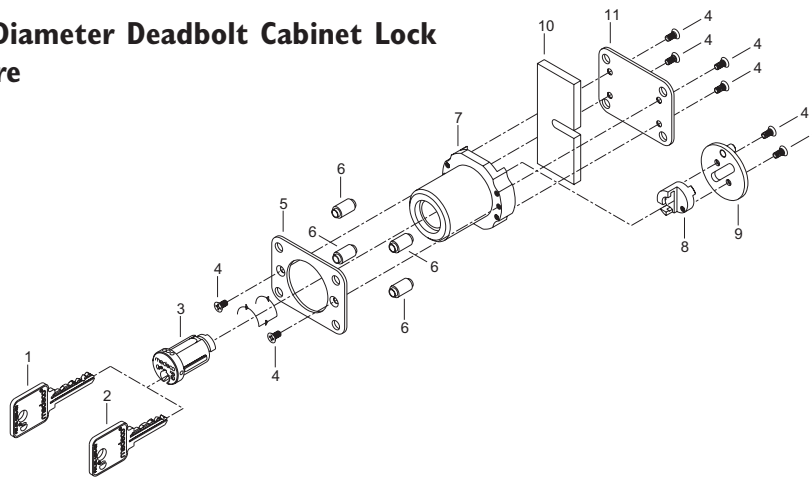
Material: The Cylinder and bolt are constructed from half hard brass and chrome plated finish (US626) is standard. Case is nickel-plated steel.

Operation: Four pin, key retaining cylinder for both standard and removable core version. 155° clockwise rotation to fully retract bolt.



1 1/8" Diameter Deadbolt Cabinet Lock Removable Core

4 Pin, 1 1/8" Diameter Deadbolt Cabinet Lock Removable Core



ITEM

DESCRIPTION

1	Operating Key (4 Pin key to operate lock).
2	Control Key (5 Pin key for removing core).
3	Plug Assembly
4	4-40 Screw
5	Front Plate
6	Screw Guide
7	Shell
8	Actuator
9	Drive Assembly
10	Deadbolt
11	Back Plate

Specifications: Medeco 1 1/8" diameter deadbolt cabinet locks with the removable core function provide superior security over standard cam and cabinet locks. Oversized deadbolt with full 7/8" throw and multipoint fastening of lock to mounting surface prevent illicit forced entry. Removable core function allows for instantaneous re-keying in case of lost or stolen keys. Typical applications include cash drawers, utility access doors, display cases, and other types of cabinet applications where higher security is required. Retrofits Best 3L, Olympus 721, and Schlage CL.

Material: Plug and shell made from chrome plated (626 finish) half hard brass. Drive assembly is nickel plated brass. Front & back plate as well as bolt made of nickel plated steel.

Operation: Four pin removable core model available. Key retaining cylinders only. 180 degree clockwise rotation to fully retract bolt.

1 1/8" Diameter Deadbolt Cabinet Lock Removable Core Dimensions:

Part Number	Description
62X80554-	1 1/8" Deadbolt, Fixed Core
62-80514-	1 1/8" Deadbolt Assembly Less Core

