

Medeco 19 Series Cylindrical Lever Lock

medeco
KeyMark

FEATURES & BENEFITS

Compatible with key-in-lever cylinders or interchangeable cores	●	●
Built for reliability, accessibility for servicing, and durability	●	●
Attack resistant	●	●
High security cylinder is UL437 Listed & ANSI/BHMA A156.30 Certified	●	
Plated component parts resist rust and corrosion	●	●

Certification

All Medeco 19 Series locks are UL and c.UL listed for use on 3 hour, A label or lesser doors and are certified to conform to and exceed the requirements of ANSI/BHMA A156.2, Series 4000, Grade 1.

- ANSI A117.1 Accessibility Code
- California State Reference Code for levers returning to within 1/2" (12.7mm) of door surface.

General Specifications

Housing - Cold rolled steel, with zinc dichromated finish for rust resistance. Latch retractor is precision cast steel. Extra long bearing sleeve offers added support for interlocking tubes and provides for extra lever rigidity. Requires standard 2-1/8" (53.97mm) bore through door.

Thru-Bolts - Patented flexible adaptor, an eight sided nickel steel alloy mechanism allows for universal thru-bolt location according to door preparation. The flexible mounting is accomplished without manually removing screw posts from rose insert. The flexible adaptor also engages directly with springs, which will virtually eliminate lever sag.

Freewheeling Lever - Latch retraction mechanism disengages from lever handle when handle is locked. Built-in stops in the rose insert prevent lever from traveling beyond approximately 57 degrees. Heavy spring in rose insert ensures that lever handle returns to horizontal position.

Cylinder Technology:

Medeco recommends patented UL437 Listed, BHMA certified Medeco³ cylinder technology for Commercial locksets. The Biaxial patent expired in 2005 in the US and will expire in 2007 in Canada. "Original" cylinder technology was used in systems until patent expiration in 1986.

KeyMark cylinders offer patented control against unauthorized duplication of keys without the additional security features protecting against force or surreptitious attacks.

Lever Finishes:

- Bright Brass, clear coated (BHMA 605/US3)
- Satin Bronze, clear coated (BHMA 612/US10)
- Satin Bronze, oxidized and oil rubbed (BHMA 613/US10B)
- Bright Chrome Plate (BHMA 625/US26)
- Satin Chrome Plate (BHMA 626/US26D)
- Satin Brass, clear coated (BHMA 606/US4)

Latch - Brass with 1/2" (12.7mm) throw standard. 3/4" (19.05mm) throw deadlocking firelatch is available for pairs of doors. Latch housing is steel, zinc dichromate finish for corrosion resistance. 1" (25.4mm) bore in edge of door is required.

Latch Front - Brass, bronze or stainless steel. 2-1/4" (57.15mm) x 1-1/8" (28.57mm) beveled, 1/8" (3.175mm) in 2" (50.8mm).

Exposed Trim - Levers are pressure cast zinc. Streamline rose scalp of brass or bronze complement other series of lever locks.

Rose Insert - Contain coil springs, which are permanent assemblies within rose inserts. The inside insert has graduating steps in two locations to prevent the rose scalp from loosening. A "catch" on the outside insert prevents rose scalp from working itself loose during installation.

Strike - Brass, bronze or stainless steel. ANSI A115.2, 4-7/8" (123.82mm) x 1-1/4" (31.75) curved lip strike. Optional 2-3/4" (69.85mm) x 1-1/8" (28.57mm) strike available. All strikes have 1-1/4" (31.75mm) lip to center dimension.

Backset - 2-3/4" (69.85mm) standard, 3-3/4" (95.25mm) and 5" (127mm) available.

Door Thickness - 1-3/4" (44.45mm) to 2" (50.80mm).

Handing - Non-handed. Levers operate bi-directionally.

Packaging - 1 per box, 6 per carton.

Warranty - Limited three year warranty.

How To Order Commercial Locksets

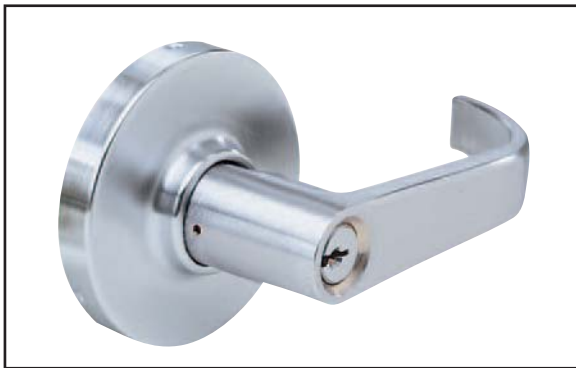
Embassy Locksets:

Here are the things you need to know:

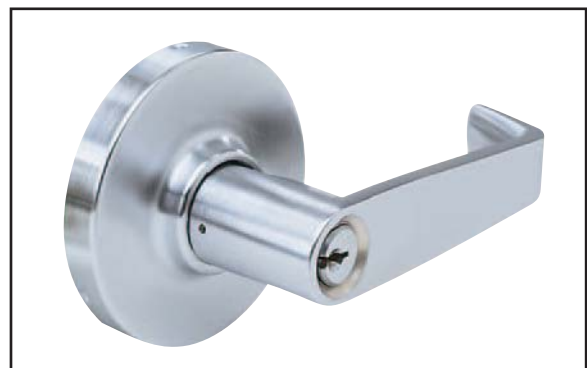
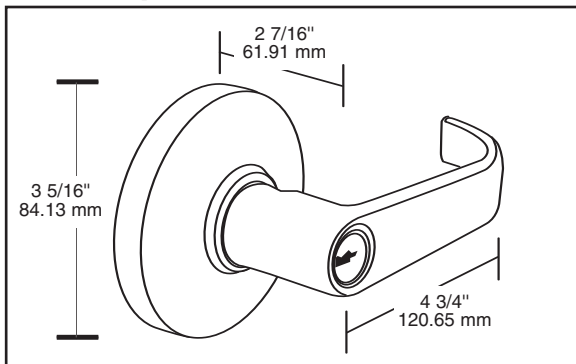
1. Find the base part # by determining the
 - Series
 - IC or KIL type cylinder
 - Function
 - Trim style
 - Backset needed
 - Special strike or lever options
2. What finish?

Locksets are sold less cylinder

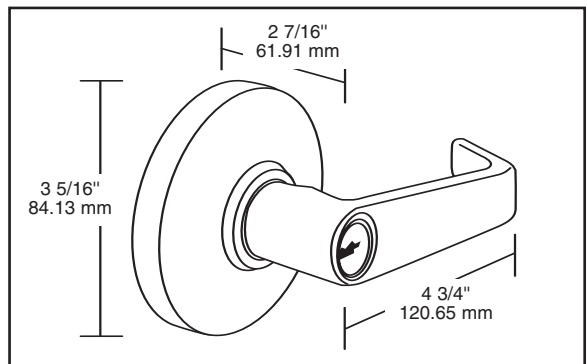
1 19-331111 base part # Refer to pages following pages for descriptions and technical specifications to find the corresponding base part number.	2 - 05 finish
---	-----------------------------------



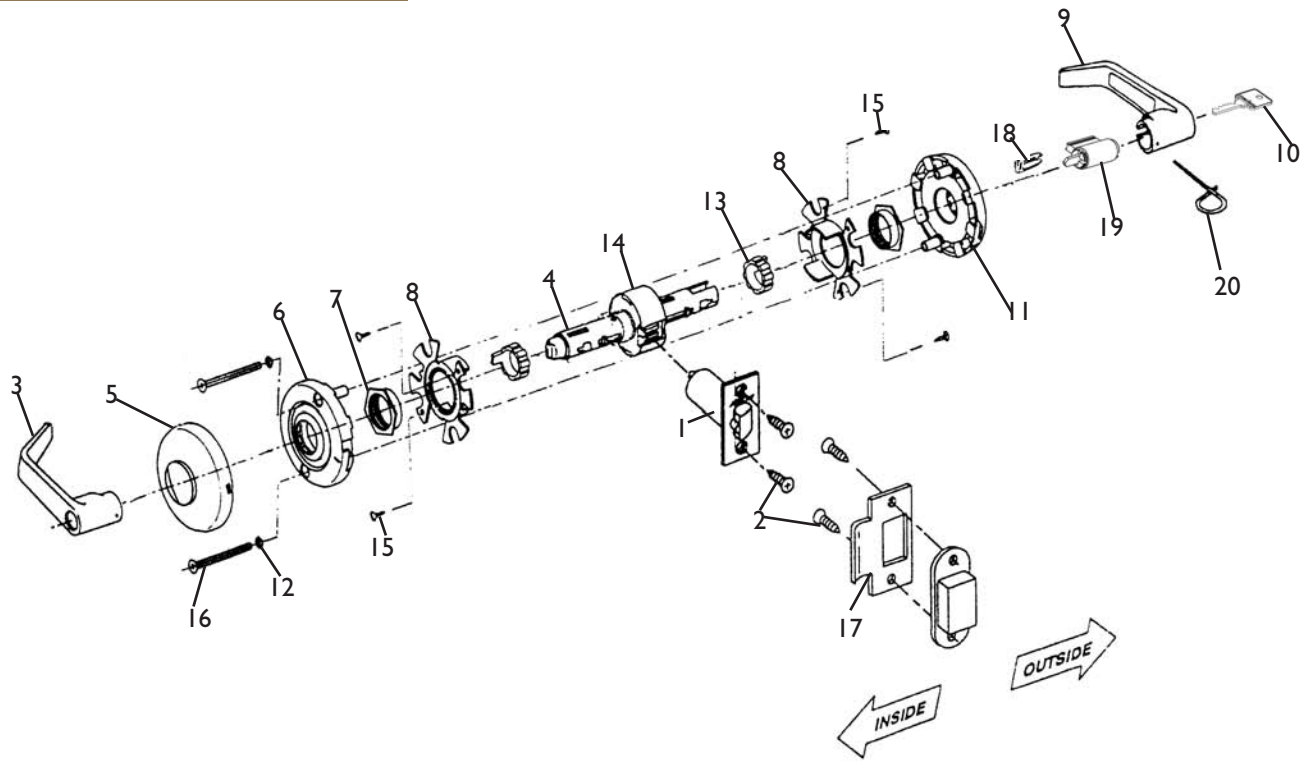
Broadway – BBR



Sierra – SR



*Medeco³ Premium
High Security
19 Series Grade 1 Lever*



Item	Description	Part Number
1	Latch	
2	Screw Phillips Head #8-31 x 3/4 (4 Required)	
3	Inside Lever	
4	Tube	
5	Rose Scalp	
6	Inside Rose Insert Assembly	
7	Nut	
8	Plate	
9	Outside Lever	
10	Key	
11	Outside Rose Insert Assembly	
12	Lock Washer (2 Required)	
13	Flexible Adapter	
14	Chassis	
15	Screw Phillips Head Pan-Head #6 x 3/4	
16	Screw #10-32 x 2 1/4" (2 Required)	
17	Strike	
18	Retainer	
19	Cylinder	
20	Push Pin	

19 - XX X X X X -0 X X XX

Series Prefix
 19 = 19 Series Heavy
 Duty Lever Lockset

Cylinder Type
 Interchangeable Core Lever
 & Key-In-Lever Lockset

Lockset sold less cylinder

Function
Interchangeable Core Lever
 33 = Entrance (ANSI F109)
 34 = Classroom (ANSI F84)
 35 = Storeroom (ANSI F86)
 36 = Public Entrance (ANSI F88)
 39 = Asylum (ANSI F87)
 3B = Communicating (ANSI F80)
 3C = Exterior (ANSI F82)
 3D = Service Station (ANSI F92)
 3H = Dormitory (ANSI F90)
 3L = Electrically Locked
 3U = Electrically Unlocked
 3R = Classroom Intruder (ANSI F110)

Key-In-Lever Lockset
 31 = Privacy (ANSI F76)
 32 = Passage (ANSI F75)
 53 = Entrance (ANSI F109)
 54 = Classroom (ANSI F84)
 55 = Storeroom (ANSI F86)
 56 = Public Entrance (ANSI F88)
 59 = Asylum (ANSI F87)
 5B = Communicating (ANSI F80)
 5C = Exterior (ANSI F82)
 5D = Service Station (ANSI F92)
 5E = Exit (ANSI F89)
 5G = Exit (ANSI F111)
 5H = Dormitory (ANSI F90)
 5L = Electrically Locked
 5U = Electrically Unlocked
 55R = Classroom Intruder (ANSI F110)

Trim
Interchangeable Core Lever
 3 = Sierra - for Medeco 32-SERIES I/C
 4 = Sierra - for KeyMark I/C
 5 = Broadway - for KeyMark I/C

Key-In-Lever Lockset
 1 = Sierra
 2 = Broadway

Door Thickness
 1 = 1 3/4" to 2"

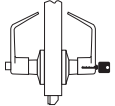
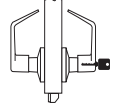
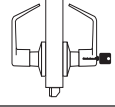
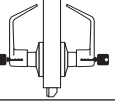
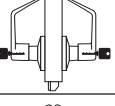
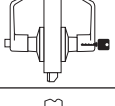
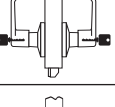
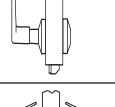
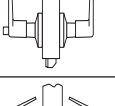
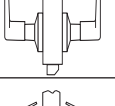
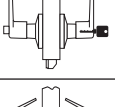
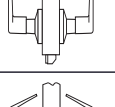
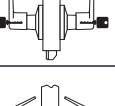
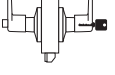
Backset
 0 = Less latch, dummy trim only
 1 = 2 3/4"
 2 = 3 3/4"

Finish
 05 = Bright Brass
 06 = Satin Brass
 12 = Satin Bronze
 13 = Oil Rubbed Bronze
 25 = Bright Chrome
 26 = Satin Chrome

Lever Option
 1 = Abrasive coated, outside lever only
 2 = Abrasive coated, inside lever only
 3 = Abrasive coated, outside and inside levers
 4 = Standard, uncoated lever

Strike
 0 = Less strike, dummy trim only
 1 = 4 7/8" curved lip ANSI strike
 2 = 2 3/4" curved lip T-strike with dust box

Latch
 0 = No latch, dummy trim only
 1 = 1/2" throw, 2 3/4" backset,
 1 1/8" x 2 1/4" front
 2 = 1/2" throw, 2 3/4" backset,
 drive-in.
 3 = 3/4" throw, 2 3/4" backset,
 1 1/8" x 2 1/4" front, fire door deadlatch
 4 = 1/2" throw, 3 3/4" backset,
 1 1/8" x 2 1/4" front

I9 Series Functions	Function #		ANSI #	Lever
	KIL	I/C		
Entrance: Latchbolt operated by lever either side except when outside lever is locked by turn-button inside. When outside lever is locked, latchbolt operated by key outside or turning inside button will cause outside lever to remain locked. Button will then need to be manually rotated to unlock outside lever.	53	33	F109	
Classroom: Latchbolt operated by lever either side except when key outside locks outside lever. Inside lever always free. Key outside locks/unlocks outside lever only.	54	34	F84	
Storeroom: Latchbolt operated by key in outside lever or by inside lever. Outside lever always inoperable.	55	35	F86	
Public Entrance: Latchbolt operated by lever from either side except when key from inside lever locks outside lever. When outside lever is locked, latchbolt retracted by key in outside lever or by turning inside lever.	56	36	F88	
Asylum: Latchbolt operated by key in either lever. Both levers always inoperable.	59	39	F87	
Service Station: Latchbolt operated by lever either side except when slotted pushbutton inside locks outside lever. Outside lever unlocked by turning inside lever or closing door. When slotted button is pushed and turned, outside lever is inoperable and is unlocked either by key outside or turning inside lever. Inside lever always free.	5D	3D	F92	
Communicating: Latchbolt operated by lever either side. Key in either lever locks its own lever independently. Not recommended for use in rooms with no entrance.	5B	3B	F80	
Exit: Latchbolt by inside lever only. Blank rose only outside.	5G		F111	
Privacy: Latchbolt operated by lever either side except when inside pushbutton locks outside lever. Unlocked by turning inside lever, using emergency key outside or closing door.	31		F76	
Passage: Latchbolt operated by lever either side.	32		F75	
Exterior: Latchbolt operated by lever from either side except when outside lever is locked by pushbutton inside. Outside lever remains locked until unlocked by key or turning inside lever.	5C	3C	F82	
Exit: Latchbolt operated by inside lever only. Outside lever always inoperable.	5E		F89	
Classroom Intruder: Latchbolt operated by lever from either side. Key either inside or outside locks or unlocks outside lever. Inside lever always operates latchbolt.	5R	3R	F110	
Dormitory: Latch operated by lever either side except when outside lever is locked by key outside or by pushbutton inside. Key outside locks or unlocks outside lever. Unlocking by turning inside lever, closing door or using key outside.	5H	3H	F90	

EMBASSY

Grade I Embassy Levers, Medeco® I/C Cylinder

	Part Number	List Price
Entrance Function for Medeco I/C Core	19-333111-014	308.70
Classroom Function for Medeco I/C Core	19-343111-014	308.70
Storeroom Function for Medeco I/C Core	19-353111-014	308.70
Public Entrance Function for Medeco I/C Core	19-363111-014	366.45
Asylum Function for Medeco I/C Core	19-393111-014	366.45
Communicating Function for Medeco I/C Core	19-3B3111-014	366.45
Exterior Function for Medeco I/C Core	19-3C3111-014	308.70
Service Station Function for Medeco I/C Core	19-3D3111-014	331.80
Dormitory Function for Medeco I/C Core	19-3H3111-014	331.80
Classroom Intruder Function for Medeco I/C Core	19-3R3111-014	384.30
Electrically Locked Function for Medeco I/C Core	19-3L3111-014	471.45
Electrically Unlocked Function for Medeco I/C Core	19-3U3111-014	471.45

Grade I Embassy Levers, Key In Lever (KIL) Cylinder

	Part Number	List Price
Entrance Function for KIL Cylinder	19-531111-014	292.60
Classroom Function for KIL Cylinder	19-541111-014	292.60
Storeroom Function for KIL Cylinder	19-551111-014	292.60
Public Entrance Function for KIL Cylinder	19-561111-014	344.75
Asylum Function for KIL Cylinder	19-591111-014	344.75
Communicating Function for KIL Cylinder	19-5B1111-014	344.75
Exterior Function for KIL Cylinder	19-5C1111-014	292.60
Service Station Function for Medeco KIL Cylinder	19-5D1111-014	315.70
Dormitory Function for Medeco KIL Cylinder	19-5H1111-014	315.70
Classroom Intruder Function for KIL Cylinder	19-5R1111-014	362.60
Electrically Locked Function for KIL Cylinder	19-5L1111-014	465.85
Electrically Unlocked Function for KIL Cylinder	19-5U1111-014	465.85

*All Grade I Levers on this page have the following specs: Sierra Trim, fits 1 3/4" - 2" thick doors, 2 3/4" backset, 1/2" throw latch x 1 1/8" x 2 1/4" faceplate, less cylinder, ANSI 4 7/8" strike, uncoated lever, 26 Finish.

Grade I Embassy® Levers Non Keyed

	Part Number	List Price
Exit Function Lever	19-5E1111-014	270.90
Exit Function Lever	19-5G1111-014	215.25
Privacy Function Lever	19-311111-014	270.90
Passage Function Lever	19-321111-014	215.25

NOTE: Prices shown are for 626 finished locksets. For all other finishes add \$10.50.