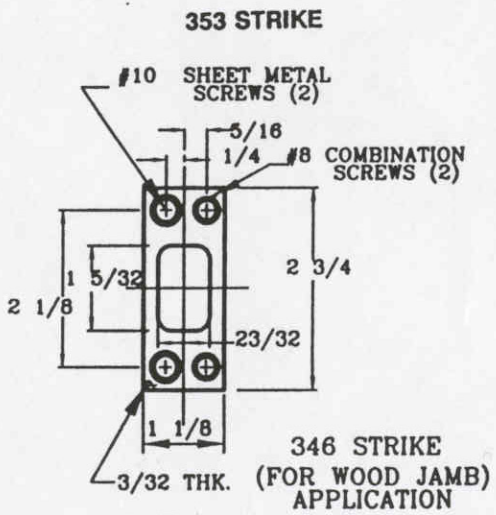
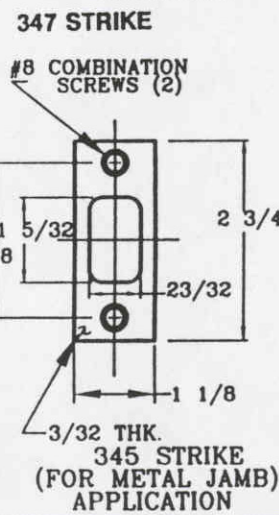
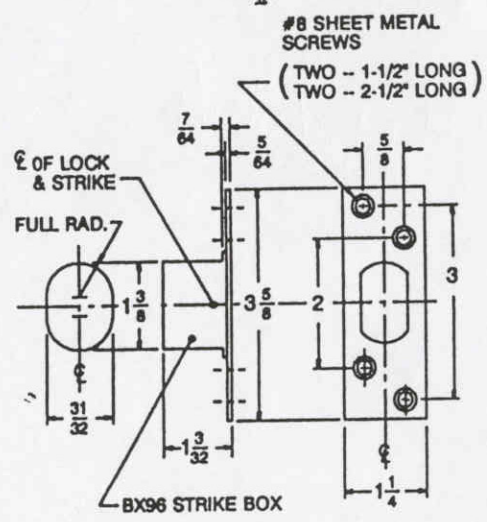
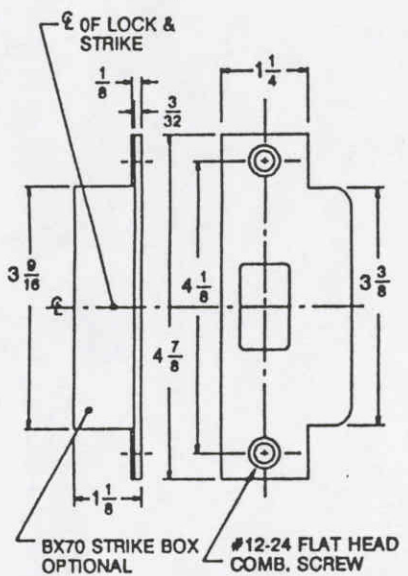
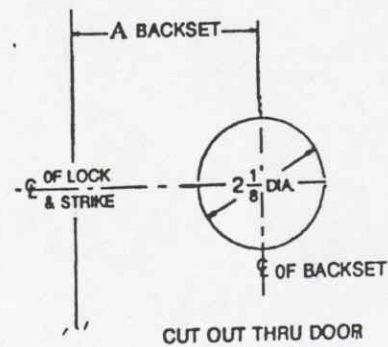
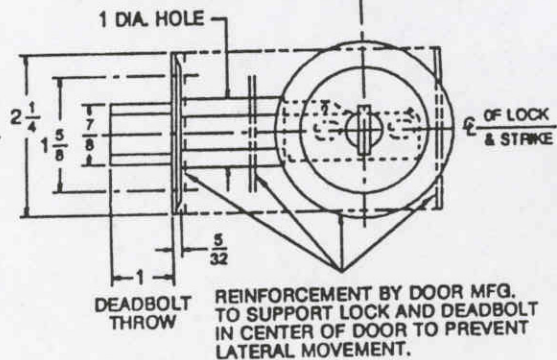
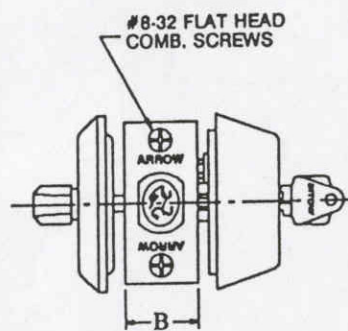
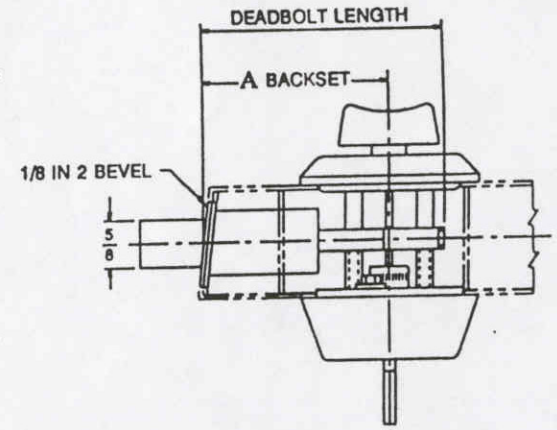
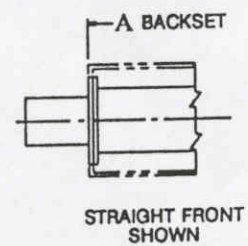
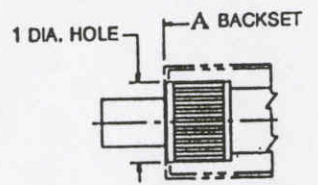
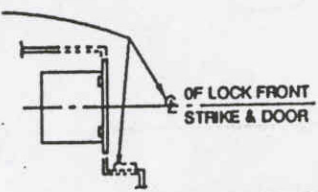
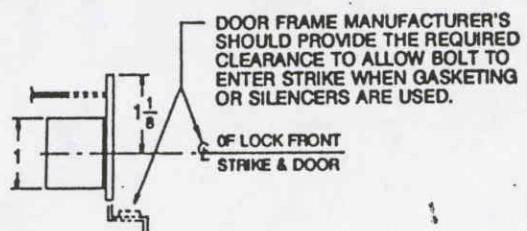


DESCRIPTION	DIM'S	D & E SERIES
BACKSET	A	2 $\frac{3}{8}$ " OR 2 $\frac{3}{4}$ "
WIDTH OF THE LATCH FRONT	B	1" OR 1 $\frac{1}{8}$ "



REV. & DATE  
B07 - 97

DO NOT SCALE

TEMPLATE NO.  
1125 B

ARROW™ TEMPLATE

PRODUCT  
D & E SERIES LOCK