

Product Specification Guide

Since 1949

Arrow has been recognized as a leading manufacturer of locking hardware, door controls and key systems. Our ability to provide a full range of security products gives architect or specifier a clear advantage when specifying hardware for new construction or retrofit. As part of the ASSA ABLOY group, the world's leading lock group, we are uniquely positioned as the single source for commercial and residential projects ranging from expansive commercial and institutional facilities to single family dwellings. Arrow products are available nationwide through a network of authorized distributors.

Finishes

1 605 (US3) Bright Brass	6 613 (US10B) Oil Rubbed Satin Bronze	11 689 (US28) Aluminum (AL)
2 606 (US4) Satin Brass	7 625 (US26) Bright Chromium Plated	12 690 Dark Bronze (DBZ)
3 609 (US5A) Satin Brass, Blackened	8 626 (US26D) Satin Chromium Plated	13 GOLD (GL)
4 611 (US9) Bright Bronze	9 629 (US32) Bright Stainless Steel	14 691 Light Bronze (LBZ)
5 612 (US10) Satin Bronze	10 630 (US32D) Satin Stainless Steel	15 RED (RD)

The finishes listed above represent a sampling of those most commonly specified. All of Arrow's polishing and plating employ only the most technologically advanced processes. However, due to the different types of base metals used in the manufacture of our products, finishes may vary slightly. We strongly urge that when specifying or selecting finishes, careful consideration be given to opening usage requirements and climactic conditions. These factors may over time cause a breakdown to protective coatings or damage metal finishes. For availability of non-standard finishes, please consult the Arrow factory, Arrow sales representative or your authorized Arrow distributor.

Interchangeable Core

Look for this symbol to indicate availability of product with interchangeable core.

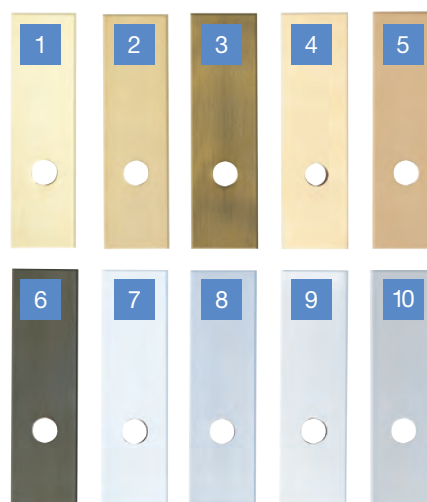
ADA/Americans with Disabilities Act

Acceptable Door Hardware: Section 4.13.9

"Handles, pulls, latches and other operating devices on accessible doors shall have a shape that is easy to grasp with one hand and does not require grasping, tight pinching or twisting of the wrist to operate. Lever operated mechanisms, push-type mechanisms and "U" shaped handles are acceptable designs. Hardware for accessible door passage shall be mounted no higher than 48 inches (1219.20 mm) above the finished floor."

Look for the universal symbol next to Arrow products that comply with ADA Accessibility requirements.










Standard Finishes



Sprayed Finishes



Contents

PAGE 2	Mortise Locks—General Specifications AM, BM Series Mortise Locksets	
PAGE 3/6	Mortise Trim Designs 3, 4 AM Series/Knob Designs 4, 5, 6 BM Series/Lever Designs	
PAGE 7	Mortise Lock Functions	
PAGE 8/9	Grade 1 Cylindrical Lever Locks with OverDrive™ Q Series, W Series	
PAGE 10/11	Grade 1 Cylindrical Locksets H, S Series Knobs	
PAGE 12/15	Grade 2 Cylindrical Levers ML Series OverDrive™, L Series, RL Series, MP Series	
PAGE 16/17	Grade 2 Cylindrical Locksets MK Series, RK Series Locksets	
PAGE 18/19	Cylindrical Lockset Function Charts	
PAGE 20/21	Grade 2 Tubular Lockset C Series Knobs & Levers	
PAGE 22	Interconnected Locks JL Series	
PAGE 23	Entrance Handleset HE Series	
PAGE 24/25	Auxiliary Locks D Series Grade 1 Deadlock E Series Grade 2 Deadlock N Series Mortise Deadlock	
PAGE 26	Cylinders Rim, Mortise, Key-in-Knob	
PAGE 27/31	Interchangeable Core Products 27, 28 ChdCe, Pointe 29 IC Core Housings, 30, 31 Product Variations	
PAGE 32/33	Door Closers 900N, 5016N Series	
PAGE 33/40	Exit Devices 33, 34 Exit Alarms and Trim 35 1000 Series 36 3000 Series 37 4000 Series 38 1150/1250 Series 39, 40 Trim Designs	
PAGE 41	Exit Device Trim & Functions	

AM Series



BM Series



General Specifications

Handing – Handed; field reversible. The lockset can be re-handed without disassembling the lock case.

Door Thickness – 1-3/4" (44.5mm) standard. Optional door thickness available; consult factory.

Backset – 2-3/4" (70mm).

Lockcase – Heavy gauge steel, with zinc dichromate finish for corrosion resistance. 5-7/8" (149mm) x 4" (102mm) x 15/16" (24mm).

Armored Front – Heavy gauge steel, 8" (203mm) x 1-1/4" (32mm) x 3/32" (2mm). Accommodates flat doors and doors beveled 1/8" (3mm) in 2" (51mm).

Faceplate – Wrought brass or bronze, attached by machine screws to lockcase front.

Latchbolt – Stainless steel, 2 piece mechanical with anti-friction insert. 5/8" (16mm) x 1" (25mm) x 3/4" (19mm) throw.

Auxiliary Latchbolt – 9/16" (14mm) effective throw and 3/8" (10mm) effective auxiliary latch deadlocking.

Deadbolt – One-piece stainless steel, 19/32" (15mm) x 1-1/4" (32mm) x 1" (25mm) throw.

Hub – Knob: nickel steel, 5/16" (8mm) and 9/32" (7.14mm). Lever: nickel steel, 5/16" (8mm).

Spacing – Center to center, hub to cylinder: 3-5/8" (92mm). Center to center, hub to turnpiece 2-7/16" (62mm).

Strike – Wrought brass or bronze, ANSI straight lip standard, 4-7/8" (124mm) x 1-1/4" (32mm) 1-1/8" (29mm) lip to center. Optional strikes, lip lengths and ANSI wrought strike box available.

Keys – Two nickel silver standard.

Warranty – Five-year limited.

Packaging – 10 per case.

Keying Features Available

- Master keying
- Construction master keying
- Visual key control
- Concealed key control
- Interchangeable core (IC) - Choice Base, Plus, Flex and HS

Finish

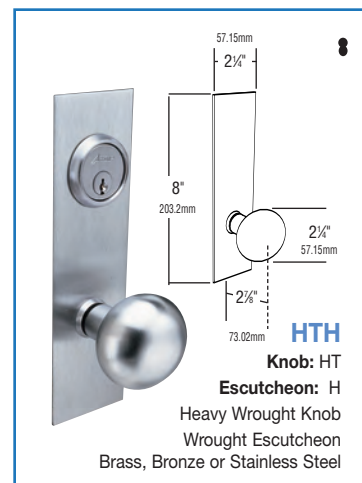
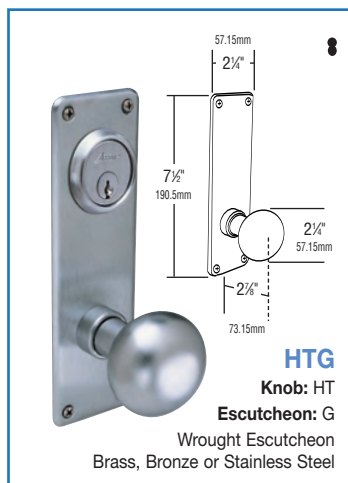
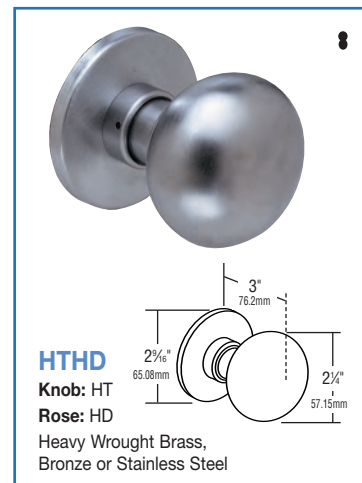
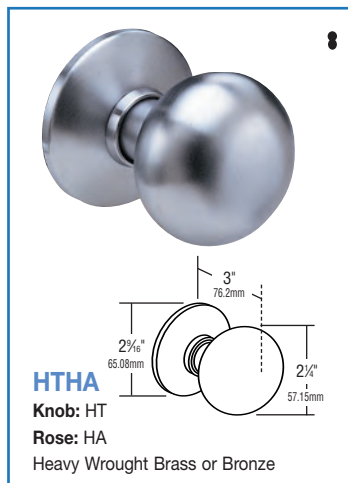
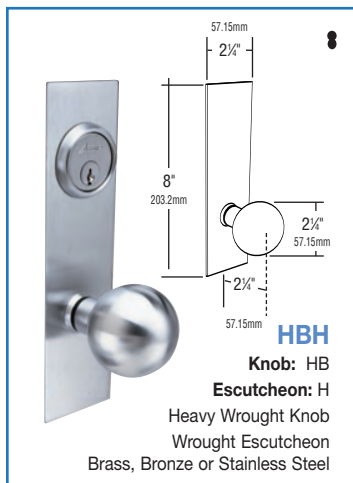
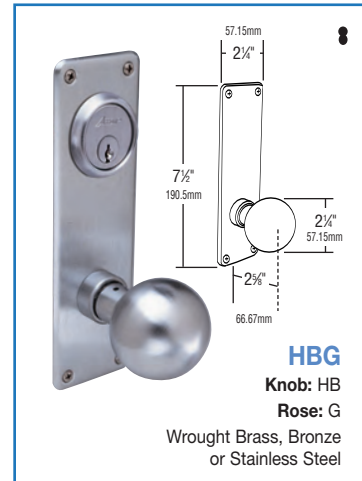
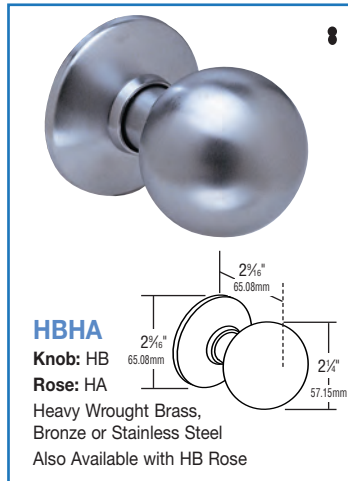
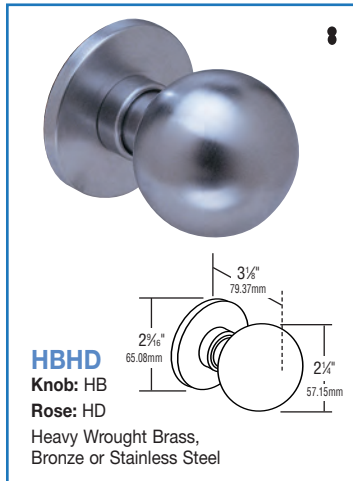
US3, US4, US10, US10B, US26, US26D, US32, US32D

Note: Not all trim designs available in all finishes. Consult price book.

Certification & Compliance

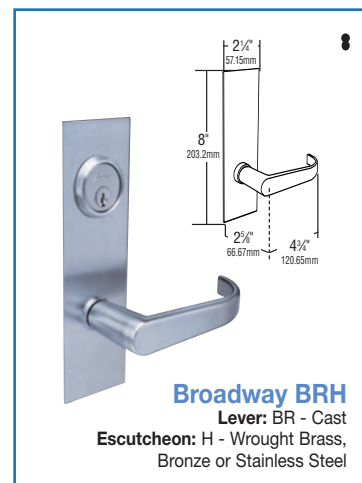
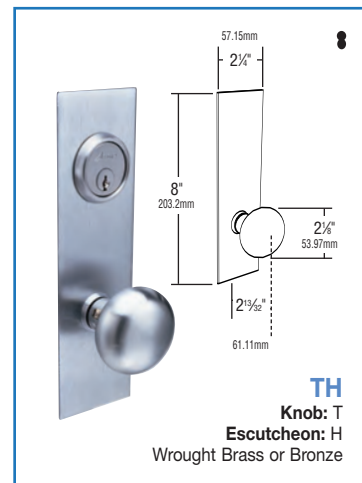
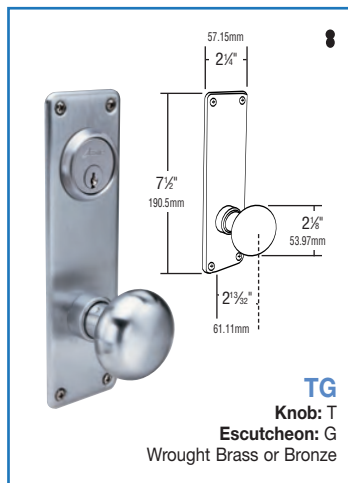
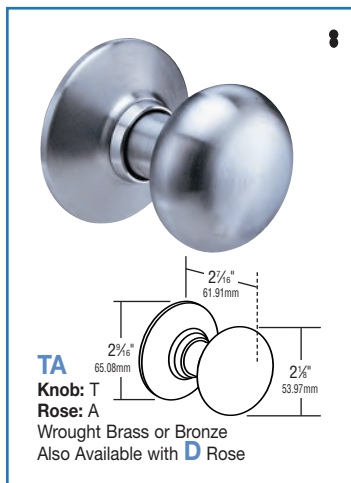
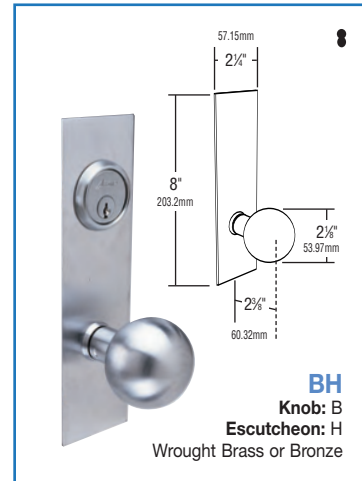
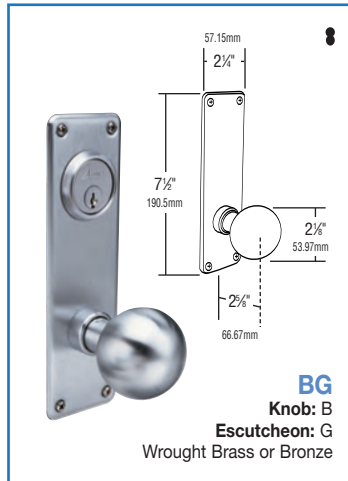
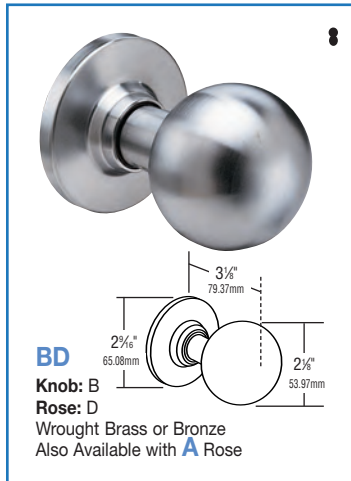
- ANSI Meets A156.13 Series 1000, Operational Grade 1.
- Federal Meets FF-H-106C.
- UL/CUL Positive Pressure All locks listed for A Label and lesser class doors, 4" (101.6mm) x 10" (254mm) single or 8" (203mm) x 10" (254mm) pair. Letter F and UL symbol on armored front indicate listing.
- California State Reference Code All levers with returns comply; levers return to within 1/2" (12.7mm) of door face.

AM Series



Knob & Lever Designs

AM Series & BM Series



BM Series



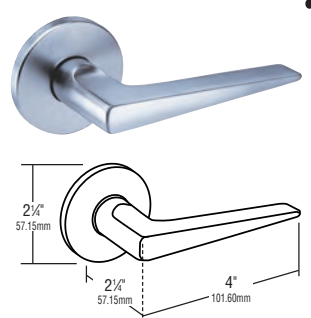
Hastings HSL
Lever: HS - Cast
Rose: L - Brass, Bronze or Stainless Steel



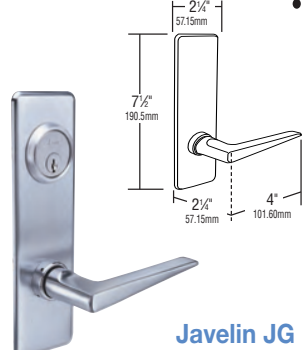
Hastings HSG
Lever: HS - Cast
Escutcheon: G - Wrought Brass, Bronze or Stainless Steel



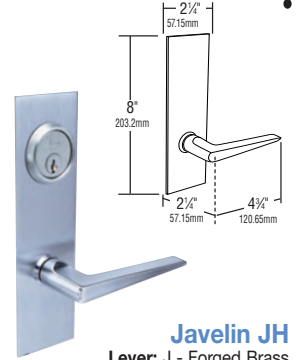
Hastings HSH
Lever: HS - Cast
Escutcheon: H - Wrought Brass, Bronze or Stainless Steel



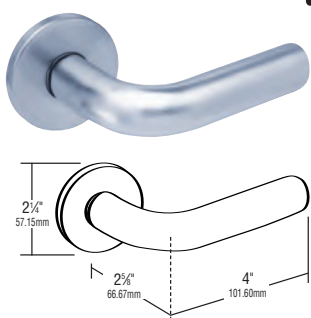
Javelin JL
Lever: J - Forged Brass or Cast Bronze
Rose: L - Wrought Brass or Bronze



Javelin JG
Lever: J - Forged Brass or Cast Bronze
Escutcheon: G - Wrought Brass, Bronze or Stainless Steel



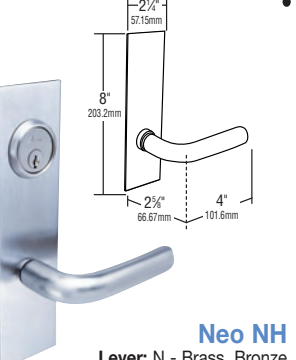
Javelin JH
Lever: J - Forged Brass or Cast Bronze
Escutcheon: H - Wrought Brass, Bronze or Stainless Steel



Neo NL
Lever: N - Brass, Bronze or Stainless Steel
Rose: L - Brass, Bronze or Stainless Steel



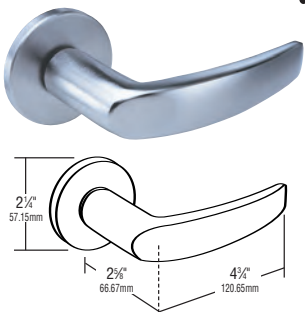
Neo NG
Lever: N - Brass, Bronze or Stainless Steel
Escutcheon: G - Brass, Bronze or Stainless Steel



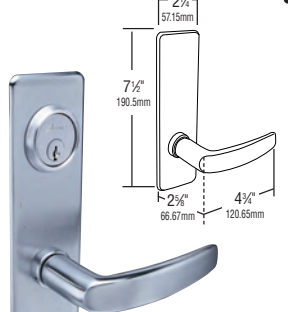
Neo NH
Lever: N - Brass, Bronze or Stainless Steel
Escutcheon: H - Brass, Bronze or Stainless Steel

Lever Designs

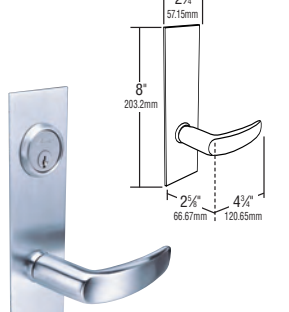
BM Series



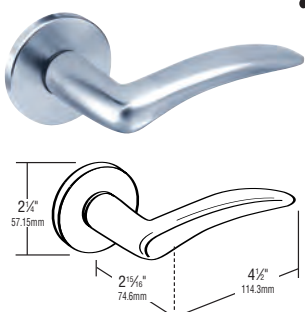
Ventura VL
Lever: V - Forged Brass, Cast Bronze or Stainless Steel
Rose: L - Wrought Brass, Bronze or Stainless Steel



Ventura VG
Lever: V - Forged Brass, Cast Bronze or Stainless Steel
Escutcheon: G - Wrought Brass, Bronze or Stainless Steel



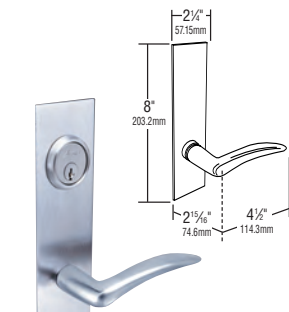
Ventura VH
Lever: V - Forged Brass, Cast Bronze or Stainless Steel
Escutcheon: H - Wrought Brass, Bronze or Stainless Steel



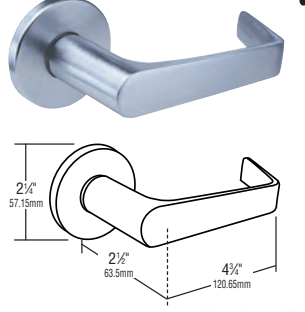
Wave WL
Lever: W - Brass, Bronze or Stainless Steel
Rose: L - Brass, Bronze or Stainless Steel



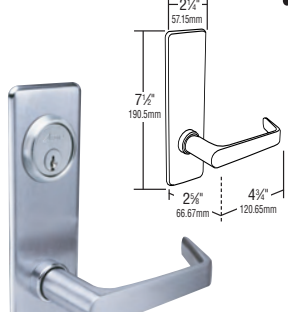
Wave WG
Lever: W - Brass, Bronze or Stainless Steel
Escutcheon: G - Brass, Bronze or Stainless Steel



Wave WH
Lever: W - Brass, Bronze or Stainless Steel
Escutcheon: H - Brass, Bronze or Stainless Steel



Xavier XL
Lever: X - Forged Brass, Cast Bronze or Stainless Steel
Escutcheon: L - Wrought Brass, Bronze or Stainless Steel



Xavier XG
Lever: X - Forged Brass, Cast Bronze or Stainless Steel
Escutcheon: G - Wrought Brass, Bronze or Stainless Steel



Xavier XH
Lever: X - Forged Brass, Cast Bronze or Stainless Steel
Escutcheon: H - Wrought Brass, Bronze or Stainless Steel



Grade 1 Mortise Locks

Arrow	Function	ANSI/Federal #	Description
01	Passage	F01/86N	Latchbolt by knob/lever either side.
02	Privacy	F19/86L	Latchbolt by knob/lever either side, except when outside is locked by turnpiece inside. Outside emergency release or operating from inside unlocks lock. Inside knob/lever retracts both bolts.
07	Exit		Latchbolt by knob/lever inside. Auxiliary latchbolt deadlocks latchbolt. No outside trim.
08	Single Dummy Trim		Rigid knob/lever one side of door only. Plug through edge of door ensures stability.
09	Double Dummy Trim		Rigid knob/lever both sides of door. Plug through edge of door ensures stability.
11	Apartment/Front Door	F12/86F	Latchbolt by knob/lever either side except when outside knob/lever is locked by stopworks in lock front, or when the deadbolt is projected. Deadbolt operates by key outside and turnpiece inside. Turning inside knob/lever will retract latchbolt and deadbolt simultaneously.
12	Storeroom	F07/86EW	Outside knob/lever always rigid. Latchbolt retracted only by key outside or by inside knob/lever. Auxiliary latchbolt deadlocks latchbolt.
13	Apartment/Front Door	F21/86B	Latchbolt operated by knob/lever either side. Deadbolt operated by key outside and turnpiece inside. When deadbolt is projected, key outside will retract deadbolt, then latchbolt.
15	Hotel	F15/86H	Inside knob/lever always free, while outside knob/lever is always rigid. Latchbolt operated by knob/lever inside and by key outside. All keys except emergency keys are shut out when deadbolt is projected by turnpiece inside. Turning inside knob/lever will retract both the deadbolt and the latchbolt simultaneously. Auxiliary latchbolt deadlocks latchbolt. Furnished with visual indicator button.
16	Hotel	F15/86H	Inside knob/lever always free, while outside knob/lever is always rigid. Latchbolt operated by knob/lever inside and by key outside. All keys except emergency keys are shut out when deadbolt is projected by turnpiece inside. Turning inside knob/lever will retract both the deadbolt and the latchbolt simultaneously. Auxiliary latchbolt deadlocks latchbolt.
17	Classroom	F05/86J	Latchbolt operated by knob/lever either side, except when outside knob/lever is locked by key outside. Key operates latch or unlocks outside knob/lever. Inside knob/lever is always free. Auxiliary latchbolt deadlocks latchbolt.
19	Dormitory/Exit	F13/86FW	Latchbolt operated by knob/lever either side. When outside knob/lever is locked by projected deadbolt, (by inside turnpiece or outside key) key outside will retract deadbolt, then latchbolt. Turning inside knob/lever will retract latchbolt and deadbolt simultaneously, which will unlock outside knob/lever. When deadbolt is projected, the latchbolt is deadlocked.
20	Entrance/Dormitory	F20	Latchbolt operated by knob/lever either side, except when outside knob/lever is locked by stopworks in lock front, or by projecting deadbolt by turnpiece inside or key outside. Turning inside knob/lever will retract latchbolt and deadbolt simultaneously. Deadbolt operated by turnpiece inside or key outside. When deadbolt is projected the latchbolt is deadlocked.
21	Front Door	F08,F10/86A	Latchbolt operated by knob/lever either side except when outside knob/lever is locked by stopworks in lock front. Deadbolt is operated by turnpiece inside. Auxiliary latchbolt deadlocks latchbolt. Key outside operates both bolts.
22	Office	F04/86E	Latchbolt operated by knob/lever either side except when outside knob/lever is locked by stopworks in lock front then operated by key outside. Auxiliary latchbolt deadlocks latchbolt.
23	Vestibule		Latchbolt operated by knob/lever either side, except when outside knob/lever is locked by stopworks in lock front then operated by key outside.
24	Storeroom		Latchbolt operated by knob/lever inside and key outside. Outside knob/lever always rigid. Inside knob/lever always free.
26	Privacy	F22/86L	Latchbolt by knob/lever either side, except when outside is locked by turnpiece inside. Operating inside knob/lever, closing door, or with outside emergency release unlocks outside.
27	Institutional/Privacy		Latchbolt by knob/lever either side, except when outside is locked by turnpiece inside. Operating inside knob/lever or closing door unlocks outside. Key outside retracts latch at all times, even if thumbturn is held in locked position. Auxiliary latch deadlocks latchbolt.
31	Storeroom	F14/86C	Latchbolt operated by knob/lever either side. Deadbolt is operated by key from either side. When deadbolt is projected, key either side will retract deadbolt, then latchbolt.
32	Vestibule	F09/86G	Latchbolt operated by knob/lever either side, except when outside knob/lever is locked by key from the inside cylinder. When outside knob/lever is locked, latchbolt is retracted by key outside or by knob/lever inside. Auxiliary latchbolt deadlocks latchbolt.
33	Storeroom	F30	Both knobs/levers always rigid. Auxiliary latchbolt deadlocks latchbolt. Latchbolt operated by key from either side.
34	Storeroom	F35	Latchbolt operated by knob/lever either side except when the outside knob/lever is locked by stop works in lock front then operated by key outside or by knob/lever inside. Deadbolt operated by key from either side.
37	Classroom	F32	Latchbolt by knob/lever either side. Except when outside is locked from inside or outside by key. When outside is locked, latchbolt is retracted by key from inside or outside or by operating inside knob/lever. Auxiliary latch deadlocks latchbolt.
38	Classroom Security BM ONLY		Latchbolt by lever from either side unless outside lever is locked by projection of deadbolt. Deadbolt thrown by key from either side. Inside lever simultaneously retracts latchbolt and deadbolt; outside lever remains locked. Retracting latchbolt by key unlocks outside lever. Auxiliary latch deadlocks latchbolt.
40	Deadlock	F18/86S	Deadbolt operated only by key outside. (No trim)
41	Deadlock	F17/86P	Deadbolt operated by key outside and turnpiece inside. (No trim)
42	Deadlock	F16/86T	Deadbolt operated by key from either side. (No trim)
44	Classroom/Deadlock		Deadbolt by key outside. Turnpiece will retract but will not project bolt.

Electrified Functions:

A17-177, B17-177, Fail Safe

Power off unlocks outside knob/lever. Latchbolt by knob/lever from inside. Outside knob/lever is locked electrically. Key will retract latchbolt.

A17-178, B17-178, Fail Secure

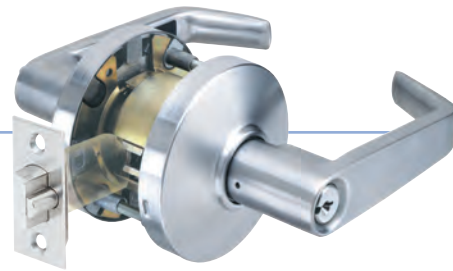
Power off locks outside knob/lever. Latch by knob/lever inside. Outside knob/lever is always rigid and is unlocked electrically. Key will retract latchbolt.



Grade 1 cylindrical lock

Q Series

General Specifications



Lock Chassis – Cold rolled steel, with zinc dichromated finish for rust resistance. Latch retractor is precision cast steel. Extra long bearing sleeve offers added support for interlocking tubes and provides for extra lever rigidity. Requires standard 2-1/8" (53.97mm) bore through door.

Thru-Bolts – Patented flexible adapter, an eight sided nickel steel alloy mechanism allows for universal thru-bolt location according to door preparation. The flexible mounting is accomplished without manually removing screw posts from rose insert. The flexible adapter also engages directly with springs, which will virtually eliminate lever sag.

OverDrive™ – Freewheeling lever action occurs when latch retraction mechanism disengages from lever handle when handle is locked. Built-in stops in the rose insert prevent lever from traveling beyond approximately 57 degrees. Additional 40% spring power in rose insert on OverDrive™ side of door ensures that lever handle returns to horizontal position. (Optional)

Backset – 2-3/4" (69.85mm) standard. 3-3/4" (95.25mm) and 5" (127mm) available.

Latch – Brass with 1/2" (12.7mm) throw standard. 3/4" (19.05mm) throw deadlocking firelatch is available for pairs of doors. Latch housing is steel, zinc dichromate finish for corrosion resistance. 1" (25.4mm) bore in edge of door is required.

Latch Front – Brass, bronze or stainless steel. 2-1/4" (57.15mm) x 1-1/8" (28.57mm) beveled, 1/8" (3.175mm) in 2" (50.8mm).

Exposed Trim – Levers are pressure cast zinc. Streamline rose scallop of brass or bronze complements other series of lever locks.

Rose Inserts – Contain coil spring which is a permanent assembly within rose insert. The inside insert has graduating steps in two locations to prevent rose scallop from loosening. A "catch" on the outside insert prevents rose scallop from working itself loose during installation.

Strikes – Brass, bronze or stainless steel. ANSI A115.2, 4-7/8" (123.82mm) x 1-1/4" (31.75mm) curved lip strike standard. Optional 2-3/4" (69.85mm) x 1-1/8" (28.57mm) strike available. All strikes have 1-1/4" (31.75mm) lip to center dimension.

Door Thickness – 1-3/4" (44.45mm) to 2" (50.80mm) standard.

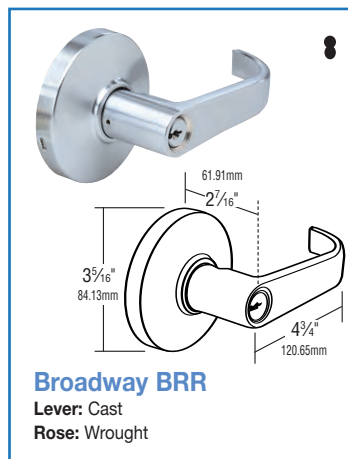
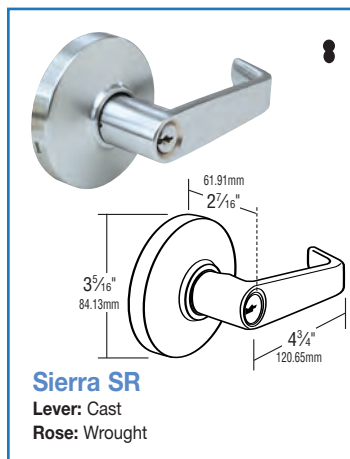
Handing – Non-handed. Levers operate bi-directionally.

Cylinder – 6-pin solid brass. Arrow A keyway ICD

Cylinder Options – Lockset prepared to use with 6 or 7 pin interchangeable core. Supplied less core, but packed with tailpiece. Will also accept cores manufactured by Best™, Falcon™, Medeco Keymark™, ASSA™, and others. Suffix "IC" to indicate small format interchangeable core, or "LIC" (SR design only) to indicate Medeco or ASSA High Security large format interchangeable core. Temporary Arrow small format construction cores are also available.

LFIC – Available to accept Large format Interchangeable Core.

Packaging – 1 per box, 10 per case.



Q Series Lever Designs

Matching trim available to complement other series of cylindrical locks, BM Series mortise locks, exit devices and alarms.

Finish

US3, US4, US10, US10B, US26, US26D. Consult factory for the availability of other non-listed finishes.

Certification & Compliance

- ANSI/BHMA A156.2, Series 4000, Grade 1
- Underwriters Laboratories (UL and CUL) listed for use on 3 hour, A label single swinging doors
- Federal Specification FF-H-106C
- ANSI A117.1 Accessibility Code
- California State Reference Code—for levers returning to within 1/2" (12.7mm) of door surface

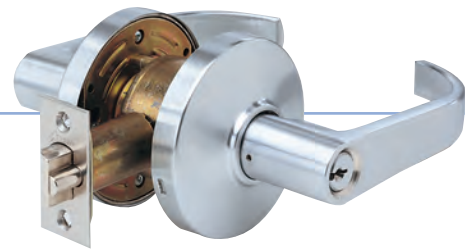


OverDrive™ will allow a locked lever to rotate freely without retracting the latch, improving the life and performance of Arrow locksets. (Optional)

Grade 1 cylindrical lock

W Series

General Specifications



Lock Chassis – Cold rolled steel with zinc dichromate finish for corrosion resistance. Latch retractor is precision zinc die cast. Requires standard 2-1/8" (53.97mm) bore through door.

OverDrive™ – Freewheeling lever action occurs when latch retraction mechanism disengages from lever handle when handle is locked. Built-in stops in the rose insert prevent lever from traveling beyond approximately 57 degrees. Additional 40% spring power in rose insert on OverDrive™ side of door ensures that lever handle returns to horizontal position. (Optional)

Backset – 2-3/4" (69.85mm) backset standard, 3-3/4" (95.25mm) available. Also available with 5" (127mm) backset when used in conjunction with H series latch.

Door Thickness – 1-3/4" (44.45mm) standard.

Latch – Brass with 1/2" (12.7mm) throw. 3/4" (19.05mm) firelatch available for pairs of doors. Latch housing is steel, zinc dichromate finish for corrosion resistance. 1" (25.4mm) diameter bore in edge of door required.

Latch front – Brass, bronze, or stainless steel. 2-1/4" (17.11mm) x 1-1/8" (28.57mm), beveled 1/8" (3.175mm) in 2" (50.80mm).

Strike – Brass, bronze or stainless steel. ANSI A115.2, 4-7/8" (123.82mm) x 1-1/4" (31.75mm) curved lip or 2-3/4" (69.85mm) x 1-

1/8" (28.57mm) "T" strike standard. All strikes have 1-1/4" (31.75mm) lip to center dimension. Box strikes available.

Handing – Non handed.

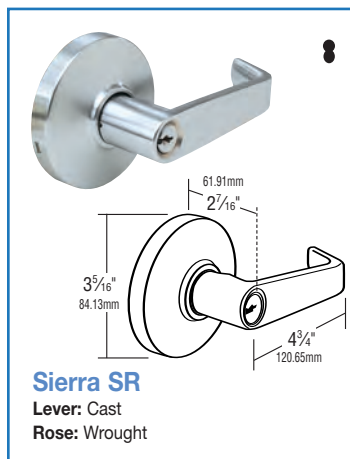
Mounting – Thru-bolts within 2-1/8" (53.97mm) cross bore. Contains two support plates which secure to face of door as well as accept thru-bolts from inside rose assembly.

Cylinder, Standard – Solid brass, 6 pin cylinder with Arrow "A" keyway. Can be masterkeyed, grandmaster keyed and construction masterkeyed. Conventional cylinders are also available in a variety of competitive manufacturer's keyways. Supplied with two 6 pin nickel silver keys.

Cylinder Options – Interchangeable core-lockset prepared for use with 6 or 7 pin interchangeable cores. Supplied less core, but packed with 6 and 7 pin tailpieces. Will accept cores as manufactured by Best™, Falcon™ and other similar style cores. Suffix "IC" to design.

LFIC – Available to accept Large format Interchangeable Core.

Packaging – 10 per case.



W Series Lever Designs

Matching trim available to complement other series of cylindrical locks, BM Series mortise locks, exit devices and alarms.

Finish

US3, US4, US10, US10B, US26, US26D. Consult factory for the availability of other finishes.

Certification & Compliance

- ANSI/BHMA A156.2, Series 4000, Grade 1
- Underwriters Laboratories (UL and CUL) listed for use on 3 hour, A label single swinging doors
- Federal Specification FF-H-106C
- ANSI A117.1 Accessibility Code
- California State Reference Code—for levers returning to within 1/2" (12.7mm) of door surface



OverDrive™ will allow a locked lever to rotate freely without retracting the latch, improving the life and performance of Arrow locksets. (Optional)

Grade 1 cylindrical locks

H Series

General Specifications

Lock Chassis – Cold rolled steel with zinc dichromate finish for corrosion resistance. Latch retractor is precision cast steel. Requires standard 2-1/8" (53.97mm) bore through door.

Backset – 2-3/4" (69.85mm) backset standard, 3-3/4" (95.25mm) and 5" (127mm) available.

Door Thickness – 1-3/4" (44.45mm) to 2" (50.80mm)

Latch – Brass with 1/2" (12.7mm) throw. 3/4" (19.05mm) throw deadlocking firelatch available for pairs of doors. Latch housing is steel, zinc dichromate finish for corrosion resistance. 1" (25.4mm) bore in edge of door required.

Latch Front – Brass, bronze or stainless steel, 2-1/4" (57.15mm) x 1-1/8" (28.57mm), beveled 1/8" (3.17mm) in 2" (50.8mm)

Strike – Brass, bronze or stainless steel. ANSI A115.2, 4-7/8" (123.82mm) x 1-1/4" (31.75mm) curved lip standard. Optional 2-3/4" (69.85mm) x 1-1/8" (28.57mm) available. All

strikes have 1-1/4" (31.75mm) lip to center dimension. Box strike available.

Handing – Non-handed

Cylinder, Standard – Solid brass, 6 pin cylinder with Arrow "A" keyway. Can be masterkeyed, grandmaster keyed and construction masterkeyed. Conventional cylinders also available in a variety of competitive manufacturer's keyways. Supplied with two 6 pin nickel silver keys.

Cylinder Options – Interchangeable core-lockset prepared for use with 6 or 7 pin interchangeable core. Supplied less core, but packed with 6 and 7 pin tailpieces. Will accept Arrow™, Keymark™, Best™ and Falcon™. Suffix "IC" to design.

Packaging – 12 per case.



H Series Knob Designs

Matching trim available to complement other series of cylindrical locks, AM Series Mortise locks, exit devices and alarms.

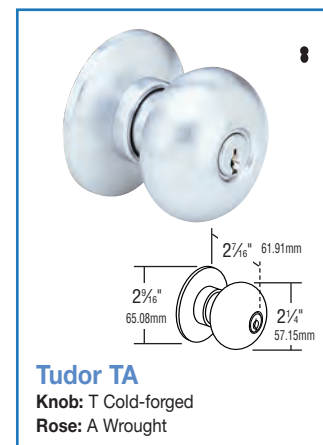
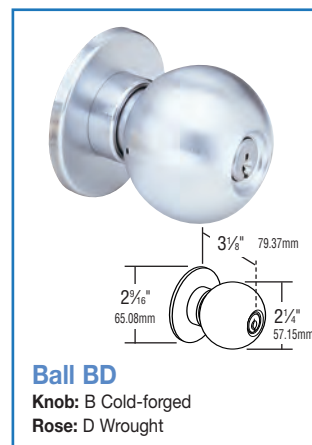
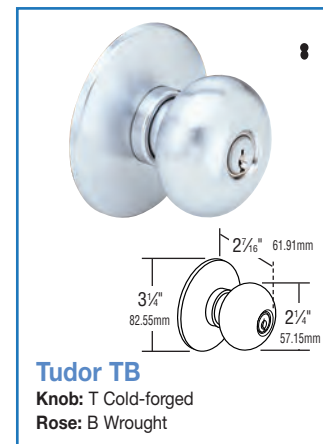
Finish

US3, US4, US10, US10B, US26, US26D, US32D.

Consult factory for availability of other finishes.

Certification & Compliance

- ANSI/BHMA A156.2, Series 4000, Grade 1
- Underwriters Laboratories (UL and CUL) listed for use on 3 hour, A label single swinging doors
- Federal Specification FF-H-106C
- New York City MEA file number 354-91-M



Grade 1 cylindrical locks

S Series

General Specifications

Lock Chassis – Stainless steel construction for corrosion resistance. Requires standard 2-1/8" (53.97mm) bore through door.

Backset – 2-3/4" (69.85mm)

Door Thickness – 1-3/8" (34.925mm) to 2" (50.80mm).

Latch – Brass with 1/2" (12.7mm) throw. Latch housing is stainless steel and requires a 1" (25.40mm) bore in the edge of the door.

Latch Front – Stainless steel, 2-1/4" (57.15mm) x 1-1/8" (28.57mm), or 2-1/4" (57.15mm) x 1-1/8" (28.57mm) full radius. Available with either flat or beveled fronts.

Strike – Stainless steel. Standard marine strike measures 2-3/4" (69.85mm) x 1-1/8" (28.57mm) and has full radius with 7/8" (22.225mm) lip to center dimension. Available with ANSI A115.2 strike measuring 4-7/8" (123.95mm) x 1-1/4" (31.75mm) lip to center dimension.

Handing – Non-Handed

S Series Knob Designs

(Marine Series)

Matching trim available to complement other series of cylindrical locks, AM Series mortise locks, exit devices and alarms.

Finish

US32, US32D.

Certification & Compliance

- ANSI/BHMSA A156.2, Series 4000, Grade 1
- Underwriters Laboratories (UL and CUL) listed for use on 3 hour, A label single swinging doors.
- Federal Specifications FF-H-106C, Series 161.

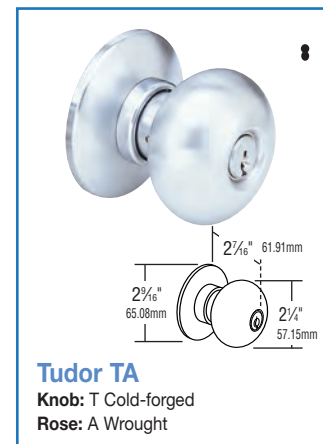
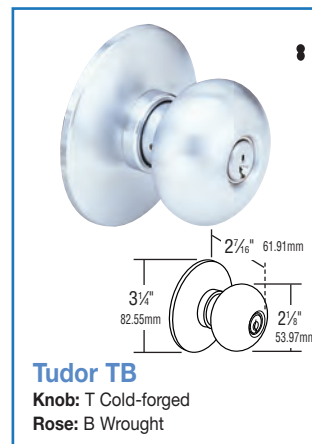


Cylinder, Standard – Solid brass, 6 pin cylinder with standard Arrow "A" keyway. Can be masterkeyed, grandmaster keyed and construction masterkeyed. Supplied with two 6 pin nickel silver keys.

Cylinder Options – Interchangeable core-lockset prepared for 6 or 7 pin interchangeable cores. Supplied less core, but packed with 6 and 7 pin tailpieces. Will accept cores by Arrow™, Keymark™, Best™, Falcon™ and other similar style cores. Suffix "IC" to design.

All non-ferrous material for marine use.

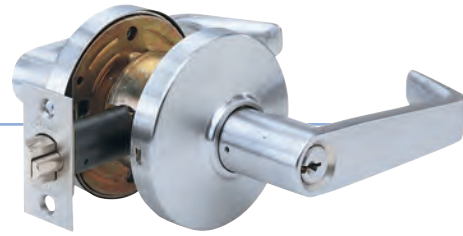
Packaging – 12 per case.



Grade 2 cylindrical lock

ML Series

General Specifications



Lock Chassis – Cold rolled steel with zinc dichromate finish for corrosion resistance. Latch retractor is precision cast steel. Requires standard 2-1/8" (53.97mm) bore through door.

OverDrive™ – Freewheeling lever action occurs when latch retraction mechanism disengages from lever handle when handle is locked. Built-in stops in the rose insert prevent lever from traveling beyond approximately 57 degrees. Additional 40% spring power in rose insert on OverDrive™ side of door ensures that lever handle returns to horizontal position.

Backset – 2-3/4" (69.85mm) backset standard, 3-3/4" (95.25mm) available. Also available with 5" (127mm) backset when used in conjunction with H Series latch.

Door Thickness – 1-3/8" (34.92mm) to 1-3/4" (44.45mm) standard (supplied with 4 mounting plates).

Latch – Brass with 1/2" (12.7mm) throw. Latch housing is steel, zinc dichromate finish for corrosion resistance. 7/8" (22.225mm) diameter bore in edge of door required. Supplied with #K-179 sleeve for use with existing 1" (25.40mm) holes.

Latch front – Brass, bronze. 2-1/4" (57.15mm) x 1-1/8" (28.57mm), beveled UL latches are standard. Available with 1" (25.40mm) flat fronts for 2-3/8" (60.32mm) backset, or 1" (25.40mm) beveled fronts for 2-3/4" (69.85mm) backset.

Strike – Brass, bronze or stainless steel. ANSI A115.2, 4-7/8" (123.82mm) x 1-1/4" (31.75mm) curved lip or 2-3/4" (69.85mm) x 1-1/8" (28.57mm) "T" strike standard. All strikes have 1-1/4" (31.75mm) lip to center dimension. Box strikes available.

Handing – Non handed.

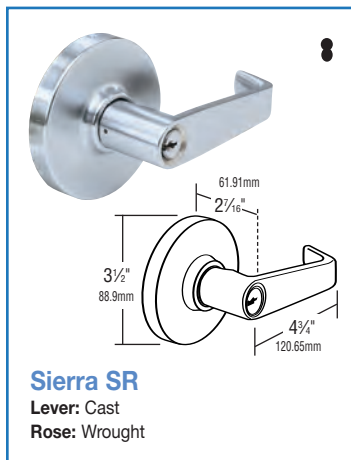
Mounting – Thru-bolts within 2-1/8" (53.97mm) cross bore. Contains two support plates which secure to face of door as well as accept thru-bolts from inside rose assembly.

Cylinder, Standard – Solid brass, 6 pin cylinder with Arrow "A" keyway. Can be masterkeyed, grandmaster keyed and construction masterkeyed. Conventional cylinders are also available in a variety of competitive manufacturer's keyways. Supplied with two 6 pin nickel silver keys.

Cylinder Options – Lockset prepared to use with 6 or 7 pin interchangeable core. Supplied less core, but packed with tailpiece. Will also accept cores manufactured by Best™, Falcon™, Medeco Keymark™, ASSA™, and others. Suffix "IC" to indicate small format interchangeable core, or "LFIC" (SR design only) to indicate Medeco or ASSA High Security large format interchangeable core. Temporary Arrow small format construction cores are also available.

LFIC – Sierra SR available to accept large format interchangeable core.

Packaging – 10 per case.



ML Series Lever Designs

Matching trim available to complement other series of cylindrical locks, BM Series mortise locks, exit devices and alarms.

Finish

US3, US4, US10, US10B, US26, US26D. Consult factory for the availability of other finishes.

Certification & Compliance

- ANSI/BHMA A156.2, Series 4000, Grade 2
- Underwriters Laboratories (UL and CUL) listed for use on 3 hour, A label single swinging doors
- Federal Specification FF-H-106C
- ANSI A117.1 Accessibility Code
- California State Reference Code—for levers returning to within 1/2" (12.7mm) of door surface



OverDrive™ will allow a locked lever to rotate freely without retracting the latch, improving the life and performance of Arrow locksets.

Grade 2 cylindrical locks

L Series

General Specifications

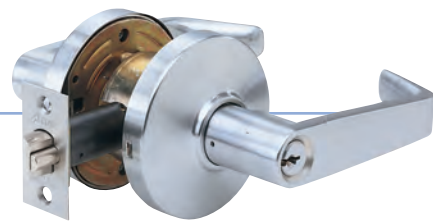
Lock Chassis – Cold rolled steel with zinc dichromate finish for corrosion resistance. Requires standard 2-1/8" (53.97mm) bore through door.

Backset – 2-3/4" (69.85mm) backset standard; 2-3/8" (60.32mm) available.

Door Thickness – 1-3/8" (34.92mm) to 1-3/4" (44.45mm) standard (supplied with 4 mounting plates).

Latch – Brass or bronze with 1/2" (12.7mm) throw. Latch housing is steel, zinc dichromate finish for corrosion resistance.

Latch front – Brass, bronze. 2-1/4" (57.15mm) x 1-1/8" (28.57mm), beveled UL latches are standard. Available with 1" (25.40mm) flat fronts for 2-3/8" (60.32mm) backset, or 1" (25.40mm) beveled fronts for 2-3/4" (69.85mm) backset.



Strike – Brass, bronze or stainless steel. #300 and #306 strikes measure 1-1/4" (31.75mm) lip to center. #302 and #303 strikes measure 1-3/16" (30.16mm) lip to center. Strike boxes are available.

Handing – Non handed.

Cylinder, Standard–Solid brass, 6 pin cylinder with Arrow "A" keyway standard; pinned 5 for stock.

Packaging – 12 per case.

L Series Lever Designs

Matching trim available to complement other series of cylindrical locks, BM Series mortise locks, exit devices and alarms.

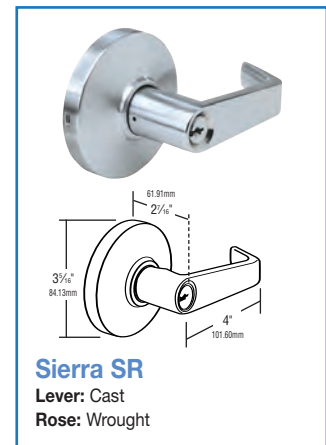
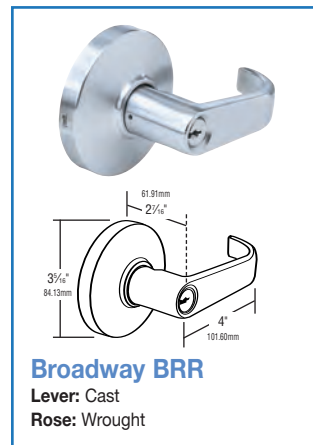
Finish

US3, US4, US10, US10B, US26, US26D.

Consult factory for availability of other finishes

Certification & Compliance

- ANSI/BHMA A156.2, Series 4000, Grade 2
- Underwriters Laboratories (UL and CUL) listed for use on 3 hour, A label single swinging doors.
- ANSI A117.1 Accessibility Code
- California State Reference Code–for levers returning to within 1/2" (12.7mm) of door surface.



Grade 2 cylindrical locks

RL Series

General Specifications

Lock Housing and Chassis – Cold rolled steel with zinc dichromate finish for corrosion resistance. Requires standard 2-1/8" (53.97mm) bore through door.

Backset – 2-3/8" (60.32mm) or 2-3/4" (69.85mm)

Door Thickness – Fits 1-3/8" (34.93) to 1-3/4" (44.45mm) doors standard.

Latch – Brass 1/2" (12.7mm) throw, UL Listed, guarded latch-bolt on all locking functions

Latch front – 1" x 2-1/4" (25.40mm x 57.15mm) for 2-3/8" backset (60.32mm) or 1-1/8" x 2-1/4" for 2-3/4" (69.85mm) backset.

Exposed Trim – Levers are pressure cast zinc measuring 4-3/4" (120.65mm) in length Roses are wrought brass 3-3/8" (85.73) diameter. Total projection from face of door is 2-1/2" (63.5mm).

Strike – 4-7/8" ANSI (123.83mm), 2-3/4" (69.85) T strike, or 2-1/4" (57.15) full lip strike.

RL Series Lever Design

Available functions: passage, privacy, entrance, store-room, classroom or single dummy.

Finish

US3, US26D.

Certification & Compliance

- ANSI/BMHA A156.2, Series 4000, grade 2 UL Listed for use on 3 hour, A label single swinging doors.
- Levers conform to ADA requirements.



Cylinder – Solid brass 6 pin keyed 5. Arrow "A" keyway standard. C keyway optional.

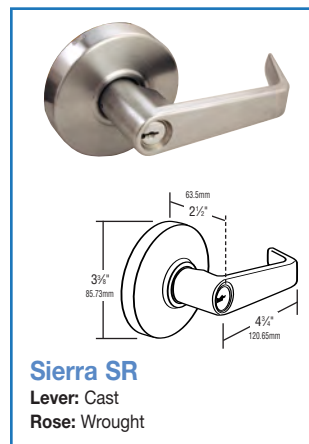
Keys – 2 brass keys.

Handing – Non-handed.

Thru-bolts – Anti-rotation thru-bolts.

Packaging – 10 per case.

Warranty – Five Year Mechanical Warranty



Grade 2 cylindrical locks

MP Series

General Specifications



Lock Chassis – Cold rolled steel with zinc dichromate finish for corrosion resistance. Requires standard 2-1/8" (53.97mm) bore through door.

Backset – 2-3/8" (60.32mm) standard. 2-3/4" (69.85mm), 3-3/4" (95.25mm) and 5" (127mm) available.

Door Thickness – 1-3/8" (34.92mm) to 1-3/4" (44.45mm)

Latch – Brass with 1/2" (12.7mm) throw. Latch housing is steel, with zinc dichromate finish for corrosion resistance. 7/8" (22.225mm) bore in edge of door is required.

Latch Front – Brass or bronze. Standard faceplate for 2-3/8" (60.32mm) backset measures 2-1/4" (57.15mm) x 1" (25.40mm), with a flat front, for 2-3/4" (69.85mm) standard faceplate measures 2-1/4" (57.15mm) x 1-1/8" (28.57mm), with a beveled front 1/8" (3.17mm) in 2" (50.8mm).

Strike – Brass, bronze or stainless steel. Standard "T" strike measures 2-3/4" (69.85mm) x 1-1/8" (28.57mm). Optional ANSI A115.1 strike measures 4-7/8" (123.82mm) x 1-1/4" (31.75mm). All strikes have a 1-1/4" (31.75mm) lip to center dimension.

Handing – Non-handed.

Residential/Interior Levers

MP Series Interior Lever Designs

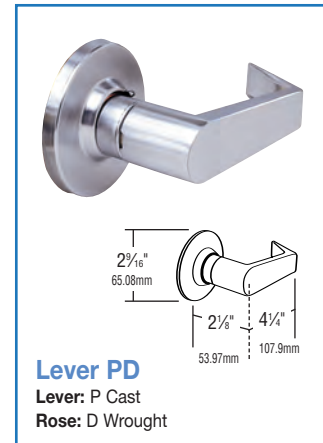
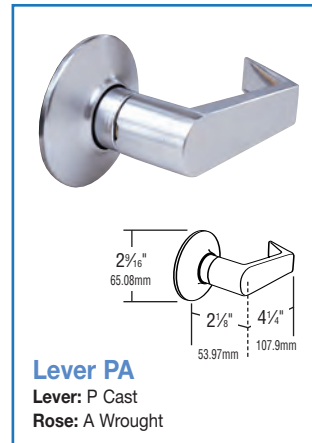
Available functions: passage, privacy, communicating, patio, communicating passage or single dummy only.

Finish

US3, US4, US5, US10, US10B, US15, US26, US26D.

Certification & Compliance

- ANSI/BHMA A156.2, Series 4000, Grade 2
- Underwriters Laboratories (UL and CUL) listed for use on 3 hour, A label single swinging doors.
- Federal Specifications FF-H-106C, Series 160



Grade 2 cylindrical locks

MK Series

General Specifications

Lock Chassis – Cold rolled steel with zinc dichromate finish for corrosion resistance. Requires standard 2-1/8" (53.97mm) bore through door.

Backset – 2-3/8" (60.32mm) standard. 2-3/4" (69.85mm), 3-3/4" (95.25mm) and 5" (127mm) available.

Door Thickness – 1-3/8" (34.92mm) to 1-3/4" (44.45mm)

Latch – Brass with 1/2" (12.7mm) throw. Latch housing is steel, with zinc dichromate finish for corrosion resistance. 7/8" (22.225mm) bore in edge of door is required.

Latch Front – Brass or bronze. Standard faceplate for 2-3/8" (60.32mm) backset measures 2-1/4" (57.15mm) x 1" (25.40mm), with a flat front, for 2-3/4" (69.85mm) standard faceplate measures 2-1/4" (57.15mm) x 1-1/8" (28.57mm), with a beveled front 1/8" (3.17mm) in 2" (50.8mm).

Strike – Brass, bronze or stainless steel. Standard "T" strike measures 2-3/4" (69.85mm) x 1-1/8" (28.57mm). Optional ANSI A115.1 strike measures 4-7/8" (123.82mm) x 1-1/4"

(31.75mm). All strikes have a 1-1/4" (31.75mm) lip to center dimension.

Handing – Non-handed.

Cylinder, Standard – Solid brass 6 pin cylinder with Arrow "A" keyway, keyed to 5 pin for stock. Can be masterkeyed, grandmaster keyed and construction masterkeyed. Conventional cylinders are also available in a variety of competitive manufacturer's keyways. Supplied with two 5 pin brass keys for stock.

Cylinder Options – Interchangeable Core-lockset prepared for use with 6 or 7 pin interchangeable cores. Supplied less core, but packed with 6 and 7 pin tailpieces. Will accept cores as manufactured by Arrow™, Keymark™, Best™, Falcon™ and other similar style cores.

Packaging – 24 per case.



MK Series Knob Designs

Matching trim available to complement other series of cylindrical locks

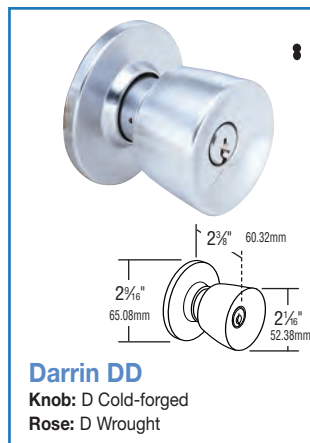
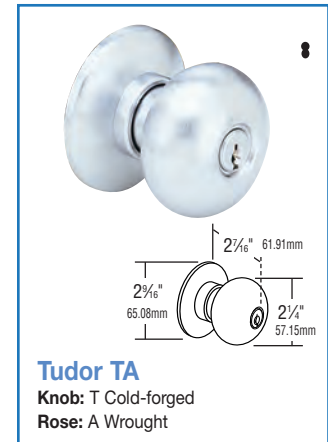
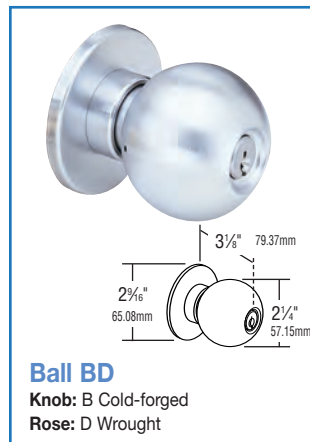
AM Series Mortise locks, exit devices and alarms.

Finish

US3, US4, US5, US10, US15, US10B, US26, US26D.

Certification & Compliance

- ANSI/BHMA A156.2, Series 4000, Grade 2
- Underwriters Laboratories (UL and CUL) listed for use on 3 hour, A label single swinging doors.
- Federal Specifications FF-H-106C, Series 160



ARROW™

Grade 2 cylindrical locks

RK Series

General Specifications

Lock Housing and Chassis – Cold rolled steel with zinc dichromate finish for corrosion resistance. Requires standard 2-1/8" (53.97mm) bore through door.

Backset – 2-3/8" (60.32mm) or 2-3/4" (69.85mm)

Door Thickness – Fits 1-3/8" (34.93) to 1-3/4" (44.45mm) doors standard.

Latch – Brass 1/2" (12.7mm) throw, UL Listed, guarded latch-bolt on all locking functions

Latch front – 1" x 2-1/4" (25.40mm x 57.15mm) for 2-3/8" backset (60.32mm) or 1-1/8" x 2-1/4" for 2-3/4" (69.85mm) backset.

Exposed Trim – Roses are wrought brass 2-3/4" (69.85mm) diameter. Total projection from face of door is 2-3/4" (69.85mm).

RK Series Knob Design

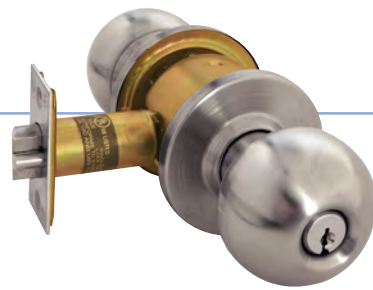
Available functions: passage, privacy, entrance, storeroom, classroom or single dummy.

Finish

US3, US32D.

Certification & Compliance

- ANSI/BMHA A156.2, Series 4000, grade 2 UL Listed for use on "3 hour, A label single swinging doors.



Strike – 4-7/8" ANSI (123.83mm), 2-3/4" (69.85) T strike, or 2-1/4" (57.15) full lip strike.

Cylinder – Solid brass 6 pin keyed 5. Arrow "A" keyway standard. C keyway optional.

Keys – 2 brass keys

Handing – Non-handed

Packaging – 10 per case

Warranty – Five Year Mechanical Warranty



Knob Functions

H & S Series Grade 1 - MK & RK Series Grade 2

Arrow Standard	Function	Series	ANSI / Federal #	Description
01	Passage/Closet	H, S, MK, RK	F75/161N,160N	Latchbolt operated by knob/lever either side.
02	Privacy/Bathroom	H, S, MK, RK	F76/161L,160L	Latchbolt operated by knob/lever either side except when inside pushbutton locks outside knob. Unlocked by turning inside knob, using emergency key outside or closing door.
03	Communicating	H, MK		Latchbolt by inside knob/lever only. Blank rose only outside.
04	Terrace	H, S, MK	F77/161P,160P	Deadlocking latchbolt operated from either side, except when inside pushbutton locks outside knob. Unlocked by turning knob or closing door. Not recommended for doors in rooms with no other entrance.
05	Communicating	H, MK	F78/161M,160M	H - Deadlocking latchbolt operated by knob either side except when turnbutton in either knob locks knob on opposite side. M - Deadlocking latchbolt operated by knob either side except when turnbutton either side locks both knobs.
07	Exit	H,S	F89/161NX	Deadlocking latchbolt operated by inside knob only. Outside knob always rigid.
08	Single Dummy Trim	H, MK, RK		Rigid trim for one side of door only. Used as pull or to match active trim.
11	Entrance/Office	H, S, MK, RK	F81/161A, 160A	Latchbolt operated by knob either side except when outside knob is locked by turnbutton inside. When outside knob is locked, latchbolt operated by key outside or turning inside knob. Pushing and turning inside button will cause outside knob to remain locked. Button will then need to be manually rotated to unlock outside knob.
12	Storeroom	H, S, MK, RK	F86/161D,160D	Latchbolt operated by key in outside knob or by inside knob. Outside knob always rigid.
13	Exterior	H, S, MK	F82/161B, 160B	Latchbolt operated by knob from either side except when outside knob is locked by pushbutton inside. Outside knob remains locked until unlocked by key or turning inside knob.
14	Service Station	H, MK	F92/161E,160E	Latchbolt operated by knob either side except when slotted pushbutton inside locks outside knob. Outside knob unlocked by turning inside knob or closing door. When slotted button is pushed and turned, outside knob is rigid and is unlocked either by key outside or by turning inside knob. Inside knob always free.
15	Hotel/Motel	H, MK	F93/161H,160H	Latchbolt operated by inside knob at all times. Outside knob rigid at all times. Key outside will retract latchbolt except when pushing inside button shuts out all keys except emergency key and activates visual occupancy indicator on face of cylinder. Turning inside knob or closing door releases button and retracts visual indicator. Turning inside button with spanner key will lock button in fixed position. Button then released with spanner or emergency key.
17	Classroom	H, S, MK, RK	F84/161R,160R	Latchbolt operated by knob either side except when key outside locks outside knob. Inside knob always free. Key outside locks/unlocks outside knob only.
18	Communicating	H, MK		Deadlocking latchbolt by knob inside only except when key locks/unlocks knob. Blank rose only outside.
19	Dormitory	H, S	F90/161T	Latchbolt operated by knob either side except when outside knob is locked by key outside or pushbutton inside. Key outside locks or unlocks outside knob. Unlocked by turning inside knob, closing door or using key outside.
20	Classroom	H		Latchbolt operated by knob from either side except when key outside locks outside knob. Inside knob always free. Key outside locks/unlocks outside knob only. Latchbolt can be held in a retracted position by outside key.
31	Communicating	H, S, MK	F80/161S,160S	Latchbolt operated by knob either side. Key in either knob locks its own knob independently. Not recommended for use in rooms with no other entrance.
32	Public Entrance	H, S, MK	F88/161C,160C	Latchbolt operated by knob from either side except when key from inside knob locks outside knob. When outside knob is locked, latchbolt retracted by key in outside knob or by turning inside knob.
33	Asylum/Institutional	H, S, MK	F87/161W,160W	Latchbolt operated by key in either knob. Both knobs always rigid.
34	Exterior Doors	MK		Latchbolt operated by key in outside knob or by inside knob except when inside key locks inside knob. Outside knob rigid at all times.
35	Exterior Doors	H,S	F91/161G	Latchbolt operated by knob from either side except when both knobs are locked by key from either side.

Lever Functions

Q & W Series Grade 1 - ML, RL & L Series Grade 2

Arrow	Overdrive	Function	Series	ANSI/Fed#	Description
01		Passage/Closet	Q, W, ML, L, RL	F75/161N,160N	Latchbolt operated by lever either side.
02	72	Privacy/Bathroom	Q, W, ML, L, RL	F76/161L,160L	Latchbolt operated by lever either side except when inside pushbutton locks outside lever. Unlocked by turning inside lever, using emergency key outside or closing door.
03		Communicating	W, ML, L		Latchbolt by inside lever only. Blank rose only outside.
04		Terrace	ML-PD style	F77/161P	Deadlocking latchbolt operated from either side, except when inside pushbutton locks outside lever. Unlocked by turning lever or closing door. Not recommended for doors in rooms with no other entrance. (Lever inside, knob outside)
07	77	Exit	Q, W, ML, L		Latchbolt operated by inside lever only. Outside lever always rigid.
08		Single Dummy Trim	W, ML, L, RL		Rigid trim for one side of door only. Used as pull or to match active trim.
09		Pair Dummy Trim	W, ML, L		Rigid trim for both sides of door. Used as pulls or to match active trim.
11	81	Entrance/Office	Q, W, ML, L, RL	F81/161A,160A	Latchbolt operated by lever either side except when outside lever is locked by turn button inside. When outside lever is locked, latchbolt operated by key outside or turning inside lever. Pushing and turning inside button will cause outside lever to remain locked. Button will then need to be manually rotated to unlock outside lever.
12	82	Storeroom	Q, W, ML, L, RL	F86/161D,160D	Latchbolt operated by key in outside lever or by inside lever. Outside lever always rigid.
13	83	Exterior	Q, W, ML, L	F82/161B,160B	Latchbolt operated by lever from either side except when outside lever is locked by pushbutton inside. Outside lever remains locked until unlocked by key or turning inside lever.
14	84	Service Station	Q, W, ML, L	F92/161E,160E	Latchbolt operated by lever either side except when slotted pushbutton inside locks outside lever. Outside lever unlocked by turning inside lever or closing door. When slotted button is pushed and turned, outside lever is rigid and is unlocked either by key outside or turning inside lever. Inside lever always free.
15			Q, W, ML	F93/161H,160H	Latchbolt operated by inside lever at all times. Outside lever rigid at all times. Key outside will retract latch except when pushing inside button shuts out all keys except emergency key and activates visual occupancy indicator on face of cylinder. Turning inside lever or closing door releases button and retracts visual indicator. Turning inside button with spanner key will lock button in fixed position. Button then released with spanner or emergency key.
17	87	Classroom	Q, W, ML, L, RL	F84/161R,160R	Latchbolt operated by lever either side except when key outside locks outside lever. Inside lever always free. Key outside locks/unlocks outside lever only.
19	89		Q, W	F90/161T,160T	Latch operated by lever either side except when outside lever is locked by key outside or by pushbutton inside. Key outside locks or unlocks outside lever. Unlocked by turning inside lever, closing door or using key outside.
31	91	Communicating	Q, W, ML	F80/161S,160S	Latchbolt operates by lever either side. Key in either lever locks its own lever independently. Not recommended for use in rooms with no other entrance.
32	92	Public Entrance	Q, W, ML	F88/161C,160C	Latchbolt operated by lever from either side except when key from inside lever locks outside lever. When outside lever is locked, latchbolt retracted by key in outside lever or by turning inside lever.
33	93	Asylum/Institutional	Q, W, ML	F87/161W,160W	Latchbolt operated by key in either lever. Both levers always rigid.
35	95	Exterior Doors	Q, W, ML	F91/161G,160G	Latchbolt operated by lever either side except when both levers are locked by key from either side.
37		Intruder Classroom	Q	F110	Deadlocking latchbolt operated by lever from either side. Key either inside or outside locks or unlocks outside lever. Inside lever always operates latchbolt.

OverDrive™ will allow a locked lever to rotate freely without retracting the latch, improving the life and performance of Arrow locksets. (OverDrive optional)

Grade 2 tubular locks

CK & CL Series

General Specifications

Construction – Tubular chassis

Backset – Universal latch is standard. Adjustable for both 2-3/8" (60mm) or 2-3/4" (70mm).

Latch – Brass front. Supplied standard with 1" x 2-1/4" (25mm x 57mm) square corner, 1" x 2-1/4" (25mm x 57mm) radius corner and 1-1/8" x 2-1/4" (29mm x 57mm) square corner latch fronts. Available with drive-in latches.

Strike – 1-5/8" x 2-1/4" (41mm x 57mm) full lip strike standard. Available with 1-1/8" x 2-3/4" (29mm x 70mm) "T" strike, or 1-1/4" x 4-7/8" (32mm x 124mm) ANSI strike.

Door Thickness – Fits 1-3/8" to 1-3/4" (35mm-44mm) doors standard.

Exposed Trim – Knobs are wrought brass. Levers are zinc based and are plated to match finish requirements.

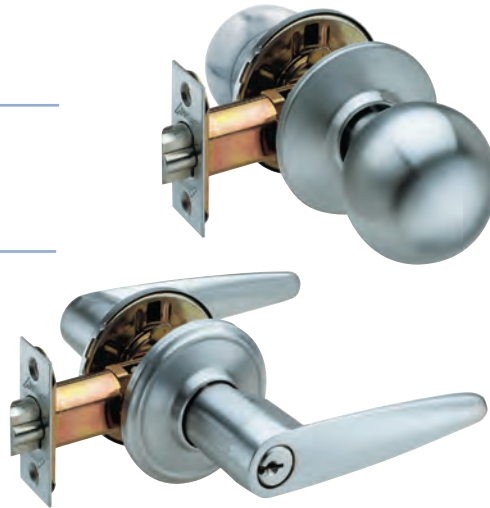
Mounting – Knobsets are supplied with exposed screws on inside rose. Leversets are supplied with concealed screws on inside rose.

Certification & Compliance

- The CL Series has been designed to meet the requirements of ANSI, A156.2, Series 4000, Grade 2.
- Acceptable Door Hardware: Section 4.13.9 Handles, pulls, latches and other operating devices on accessible doors shall have a shape that is easy to grasp with one hand and does not require grasping, tight pinching or twisting of the wrist to operate. Lever operated mechanisms, push-type mechanisms and "U" shaped handles are acceptable designs.
Look for the universal symbol next to Arrow products that comply with ADA accessibility requirements.

Freewheeling

CL Series lever designs with keyed functions supplied standard with freewheeling feature, which allows locked lever to rotate without retracting latch.



Cylinder – Solid brass, 6 pin tumbler, pinned 5. "A" keyway standard. Available in a variety of competitive manufacturers keyways. Supplied with 2 brass keys.

Packaging – Both knob and leversets are packed 1 per box, 20 per carton.

Finish – US3, US5, US15, US26, US26D

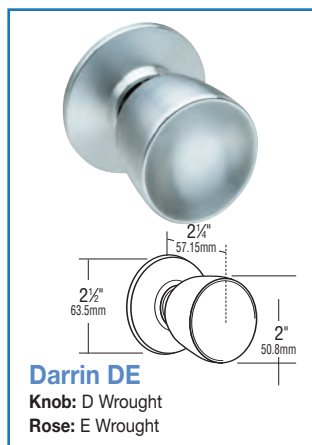
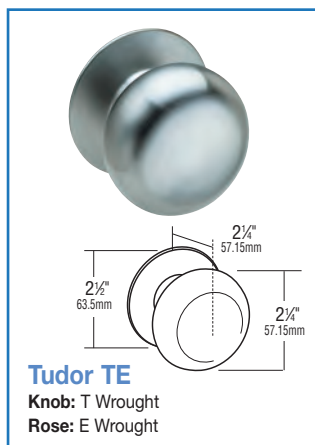
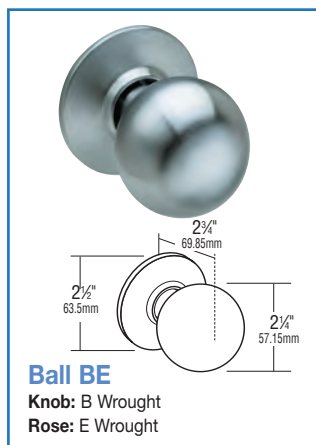
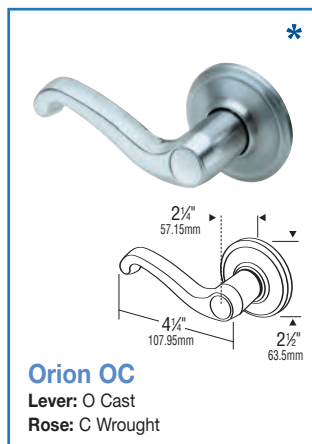
Warranty – 5 year mechanical, 5 year finish.

CL & CK Series Functions

CL Series Knob & Lever Designs

Matching trim available to complement other series of cylindrical locks, AM & BM Series mortise locks, exit devices and alarms.

* Handed Lever



Arrow	Function	Description
01	Passage	Latchbolt operated by knob/lever either side.
02	Privacy	Latchbolt operated by knob/lever either side except when inside turnbutton locks outside. Unlocked by rotating button or by using tool outside.
04	Patio	Both knob/levers locked by inside button. Deadlocking latch standard.
08	1/2 Dummy Trim	Rigid trim for one side of door only. Used as pull or to match active trim.
11	Entrance (Freewheeling Lever)	Latchbolt operated by knob/lever either side except when outside knob/lever is locked by turnbutton inside. When outside knob/lever is locked, latchbolt operated by key outside or turning inside knob/lever. Inside button must be manually released.
12	Storeroom (Freewheeling Lever)	Outside knob always rigid. Latchbolt operated by key in outside knob/lever, or by turning inside knob/lever. Outside lever has freewheeling feature.

Interconnected lock

JL Series

General Specifications

For Doors – 1-3/8" (35mm) adjusts to 1-3/4" (45mm) standard.

Backsets – 2-3/4" (70mm) standard 2-3/8" (60mm) optional

Front – Wrought brass and bronze latch and deadbolt. 2-1/4" (57mm) x 1-1/8" (29mm) for 2-3/4" Backset 2-1/4" (57mm) x 1" (25mm) for 2-3/8" Backset.

Trim – Non-handed – SR Sierra and VR Ventura lever designs. Handed – OR Orion lever design

Roses/Escutcheon – 3" dia. (89mm) Wrought brass or bronze - concealed mounting screws

Latch – Brass, 1/2" (13mm) throw

Deadbolt – Brass, 1" (25mm) throw with hardened steel bar

Cylinder – Brass, 6 pin, Arrow A keyway standard, competitive keyway available

Keys – Two; nickel silver

Masterkeying – Can be master keyed or grand master keyed. Construction key systems available.

Door Prep – Standard Template 4 on center.

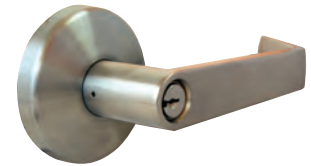
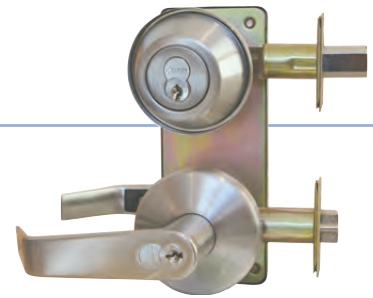
Minimum Stile – 4-1/2" (114mm) with 2 3/4" backset. 4 1/4" (108mm) with 2 3/8" backset

Finish

US3, US4, US10, US10B, US15, US26, US26D

Certification & Compliance

UL listed to U.S.A. and Canadian safety standards. Listed for 3 hour doors. Positive pressure meets UL 10C and UBC 7-2 (1997). All levers conform to ADA requirement for barrier-free accessibility.



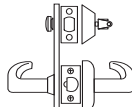
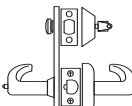
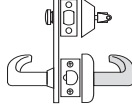
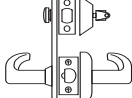
Sierra SR
Lever: Zinc Cast Rose: Brass



Orion OC
Lever: Zinc Cast Rose: Brass



Ventura VR
Lever: Solid Zinc Cast Rose: Brass

Arrow	Function		ANSI	Description
01	Passage		F95	Latch bolt by lever either side. Turning inside lever retracts latch and deadbolt simultaneously. Deadbolt activated by thumbturn inside or key outside. Both levers always free.
11	Entrance/Office Double Locking		F97	Latch bolt by lever either side. Turnbutton inside locks outside lever. Key outside retracts latch when locked. Turning inside lever retracts latch and deadbolt simultaneously. Inside lever always free. Deadbolt activated by thumbturn inside or key outside.
12	Storeroom Double Locking		F98	Latch bolt by lever inside only. Outside lever always rigid. Inside lever always free. Key outside retracts latch. Turning inside lever retracts latch and deadbolt simultaneously. Deadbolt activated by thumbturn inside or key outside.
17	Classroom Double Locking			Latch bolt operates by lever either side, except when key outside locks outside lever, inside lever always free. Key outside locks & unlocks outside lever only. Deadbolt activated by thumbturn inside or key outside.

HE Series



General Specifications

Handleset – Solid forged brass. Lifetime finish.

Door Thickness – Fits 1-3/8" to 1-3/4" (35mm-44mm) .

Strike – 1-1/8" x 2-1/4", for metal and wood frames, box strike included.

Deadbolt – 1-1/8" x 2-1/8", square corner faceplate, 1" throw, hardened free spinning steel pin insert. Single cylinder.

Backset – 2-3/8"

Cylinder – 6-pin solid brass, pinned 5, "A" keyway, keyed different.

Keys – Two brass keys

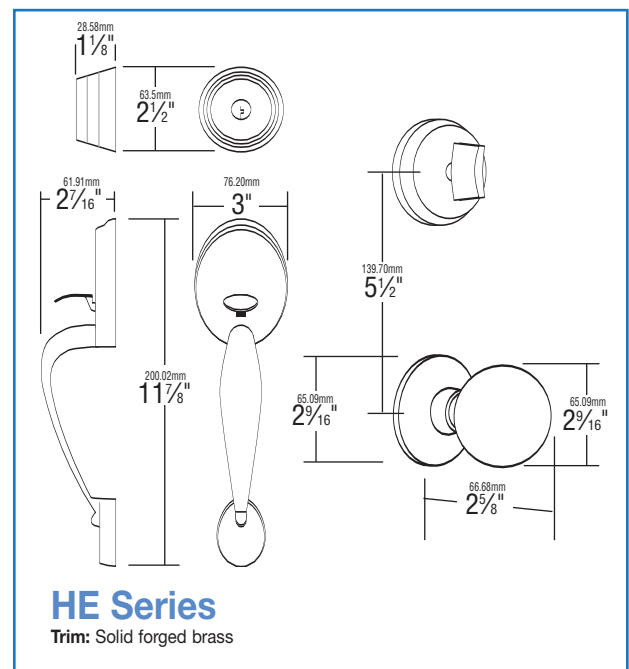
Handing – Non-handed

Finish

US3, US15 and US26D

Deadbolt Certification & Compliance

- ANSI A156.5 Auxiliary locks, Grade 2, UL & CUL listed.



D Series - General Specifications

Housing – Two-piece housing, with free-spinning outer ring to prevent wrenching. Concealed mounting screws are standard on double cylinder functions.

Deadbolt – 1" (25.40mm), solid steel deadbolt throw with hardened steel pin.

Backset – 2-3/8" (60.32mm), 2-3/4" (69.85mm).

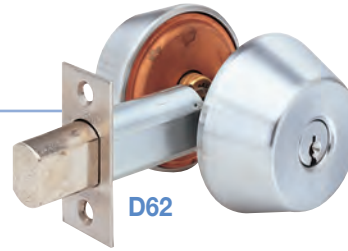
Deadbolt fronts – 2-1/4" (57.15mm) x 1" (25.40mm) standard for 2-3/8" (60.32mm) backset, 2-1/4" (57.15mm) x 1-1/8" (28.57mm) standard for 2-3/4" (69.85mm) backset. Drive-in deadbolts are available.

Doors – 1-3/8" (34.925mm) to 1-3/4" (44.45mm) thick standard.

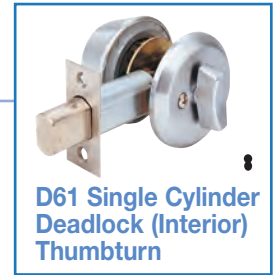
Strikes – Supplied standard with two strikes. #345–security strike for steel frame. #346–security strike for wood frame.

Handing – All functions are reversible.

Cylinder, Standard – Solid brass, Arrow "A" keyway, 6 pins. Supplied with two nickel silver keys.



D62



D61 Single Cylinder Deadlock (Interior) Thumbturn

Cylinder Options – Accepts 6 or 7 pin interchangeable cores. Supplied less cores. Will accept Best™ or Falcon™ type cores.

Finish – US3, US4, US5, US10, US10B, US26, US26D

Certification & Compliance – ANSI A156.5, Auxiliary Locks, Grade 1. Underwriters Laboratories (UL and CUL) listed for use on A label or lesser doors when used in conjunction with a rated primary latching device

Packaging – 12 per case

E Series - General Specifications

Housing – Two-piece housing, with free spinning outer ring to prevent wrenching. Concealed mounting screws standard on double cylinder functions.

Thru-bolting – supplied with two 1/4" (6.35mm) steel thru-bolts.

Deadbolt – 1" (25.40mm), solid steel deadbolt throw with hardened steel pin insert.

Backset – 2-3/8" (60.32mm), 2-3/4" (69.85mm).

Deadbolt fronts – 2-1/4" (57.15mm) x 1" (25.40mm) standard for 2-3/8" (60.32mm) backset, 2-1/4" (57.15mm) x 1-1/8" (28.57mm) standard for 2-3/4" (69.85mm) backset. Drive-in deadbolts are available.

Doors – 1-3/8" (34.925mm) to 1-3/4" (44.45mm) thick standard.

Strikes – Supplied standard with two strikes. #345–security strike for steel frame. #346–security strike for wood frame.

Handing – All functions are reversible.

Cylinder, Standard – Solid brass, Arrow "A" keyway, drilled for 6 pins, pinned to 5 for stock. Supplied with two keys.



E62



E61 Single Cylinder Deadlock (Interior) Thumbturn

Cylinder Options – Accepts 6 or 7 pin interchangeable cores. Supplied less cores. Will accept Best™ or Falcon™ type cores.

Finish – US3, US4, US5, US10, US10B, US26, US26D

Certification & Compliance– ANSI A156.5, Auxiliary Locks, Grade 2. Underwriters Laboratories (UL and CUL) listed for use on A label or lesser doors when used in conjunction with a rated primary latching device.

Packaging – 24 per case

E41 Series - General Specifications

Housing – Two-piece housing, with free spinning outer ring to prevent wrenching.

Projection – Low profile, 7/8" from face of door

Thru-bolting – supplied with two 1/4" (6.35mm) steel thru-bolts.

Deadbolt – 1" (25.40mm), solid steel deadbolt throw with hardened steel pin insert.

Backset – 2-3/8" - (60.32mm), 2-3/4" (69.85mm).

Deadbolt fronts – 2-1/4" (57.15mm) x 1" (25.40mm) standard for 2-3/8" (60.32mm) backset, 2-1/4" (57.15mm) x 1-1/8" (28.57mm) standard for 2-3/4" (69.85mm) backset.

Doors – 1-3/8" (34.925mm) to 1-3/4" (44.45mm) thick standard.

Strikes – Supplied standard with two strikes. #345–security strike for steel frame. #356–security strike for wood frame.

Handing – Reversible.



E41

Cylinder, Standard – Solid brass, Arrow “A” keyway, 5 pin factory standard. Supplied with two keys.

Finish – US3, US26D, US15

Certification & Compliance – ANSI A156.5, Auxiliary Locks, Grade 2. Underwriters Laboratories (UL and CUL) listed for use on A label or lesser doors when used in conjunction with a rated primary latching device.

Packaging – 24 per case

N Series - General Specifications

Housing – Heavy wrought steel with zinc dichromate finish.

Deadbolt – 1" (25.40mm), throw solid brass deadbolt with hardened steel pin.

Backset – 2 3/4" (69.85mm).

Doors – 1-3/8" (34.92mm) to 1-3/4" (44.45mm) thick standard.

Strikes – Supplied standard with two strikes. #380–security strike for steel frame. #347–security strike for wood frame.

Handing – All functions are reversible.



Cylinder, Standard – Solid brass, Arrow “A” keyway, drilled for 6 pins, pinned to 5 for stock. Supplied with two keys.

Cylinder Options – Accepts 6 or 7 pin interchangeable cores. Supplied less cores. Will accept Best™ or Falcon™ type cores.

Packaging – 20 per case

Functions Auxiliary locks

Arrow Series/ANSI Function			Description	Operation
D	E	N		
D60/E0191	E60/E0192	N40	Exit	Throw or retract bolt by thumbturn only.
D61/E0151	E41/E61/E0152	N41/E06071	Single Cylinder	Throw or retract bolt by key outside, thumbturn inside.
D62/E0141	E62/E0142	N42/E06061	Double Cylinder	Throw or retract bolt by key either side.
D63/E0161	E63/E0162	N43/E06081	Single Cylinder	Throw or retract bolt by key one side, blank plate opposite side (except N).
D64/E0171	E64/E0172	N44/E06091	Classroom	Throw or retract bolt by key–Thumbturn will not throw bolt, only retract.
D71/E0151				
D73/E0161				

Mortise Cylinders



General Specifications

Body – Brass, 1-5/32" (29.37mm) diameter. Six pin tumbler cylinder.
Furnished – Standard with cylinder collar.
Length–1-1/8" (28.57mm), 1-1/4" (31.75mm), 1-1/2" (38mm), 2" (51mm)
Scalp – Brass, Bronze
Keyway – "A" keyway standard. Arrow sectional keyways available. Consult factory for competitive keyway availability.

Finish

US3, US4, US10, US10B, US26, US26D

Rim Cylinders



General Specifications

Body – Brass, 1-5/32" (29.37mm) diameter. Six pin cylinder.
Furnished – With back plate, 2 Screws (2" door max.), tail-piece and cylinder collar.
Scalp – Brass, Bronze
Keyway – "A" keyway standard. Arrow sectional keyways available. Consult factory for competitive keyway availability.

Finish

US3, US4, US10, US10B, US26, US26D

Cylindrical Lock Cylinders



General Specifications

Body – Solid brass pin tumbler 6 chambers. Pinned 5 for Grade 2 Locksets. Pinned 6 for Grade 1 locksets and all hotel locksets.
Keyway – "A" keyway standard. Arrow sectional keyways available. Competitive keyways available.

Finish

US4, US26D

Deadlock Cylinders



General Specifications

Body – Solid brass pin tumbler, 6 chambers for E & D series deadlocks. E series pinned 5. D series pinned 6.
Keyway – "A" keyway standard. Competitive keyways available.

Finish

US4, US26D

	CYLINDER	LOCK	AM/BM	CK	CL	D	E	H	J	K	L	MK	ML	ML	N	Q	RK	RL	S	W	Alarms	Exits	
ARROW	MC61xCam		Std																		I/S	Std	
	96C (single cylinder)					Opt	Std		Std														
	96DC (double cylinder)					Opt	Std																
	692C (single cylinder)					Std	Opt		Opt														
	692DC (double cylinder)					Std	Opt																
	600HD				Std			Std			Std		Std			Std				Std			
	S600HD																		Std				
	100C				Std								Std										
	RC62																					0/S	Std
	RC63										Std												
	C16CR-16/C16CR-27xCam		Std																			I/S	0/S
	C16RCR-16/C16RCR-27																					0/S	I/S



Interchangeable Core options



Our precision engineering design, keying capability and availability make Arrow Pointe interchangeable cores our most specified brand for commercial, industrial and institutional applications.

6 PIN INTERCHANGEABLE CORE



7 PIN INTERCHANGEABLE CORE



Pointe General Specifications

- Solid Brass Construction
- Reinforced Sleeve Design
- 6 or 7 pin
- Combined or Uncombined

Finish

Faceplate-US26D or US4

Arrow Keyways

1C & 1D Standard keyways or restricted keyways—consult factory for availability.

Competitive keyways:

AB, BB, CB, DB, EB, FB, GB, HB, JB, KB, LB, MB, QB



With ChoICe, you'll have a limitless number of options, enabling you to select the level of control or the style that best suits your facility.

Choice Flex General Specifications

The ChoICe™ Flex system employs a unique core security feature and patented key design. The security feature being a pin assembly which runs through the center of the keyway preventing standard IC keys from entering the core. Only the patented Flex key can operate these cores.



Interchangeable Core System—
U.S. Patent #5,778,712, #6,079,240

ChoICe™ Flex—7 pin and drill resistant shown. Also available 6 pin.

Finish

Faceplate—US26D, US4

Choice Plus General Specifications

ChoICe™ Plus cores contain a mechanism built into the plug and shell that works in conjunction with a special groove machined in the key. The patented Plus key will operate both cores with and without the mechanism, however, a non-Plus key will not operate a Plus core.



Interchangeable Core System—
U.S. Patent #6,079,240, and Patent Pending

ChoICe™ Plus—7 pin and drill resistant shown. Also available 6 pin.

Finish

Faceplate—US26D, US4

Choice Base General Specifications

ChoICe™ Base is our standard level of product. Available in Arrow and competitive keyways, Base is capable of all levels of keying for new or existing key systems. With an option to have drill resistant pins in the front, plug and shell, ChoICe™ Base offers convenience as well as a higher level of security.



Interchangeable Core System—
U.S. Patent #6,079,240

ChoICe™ Base Core—7 pin and drill resistant shown. Also available 6 pin.

Finish

Faceplate—US26D, US4

	Base	Flex	Plus	Pointe
Drill Resistant Option	●	●	●	●
6 Pin	●	●	●	—
7 Pin	●	●	●	●
Exclusive Keyways	—	●	—	●
Patented Keys	—	●	●	●
Authorized Key Control	—	●	●	●
Replaces Existing Cores	●	●	●	●
Uses Standard IC Keypunch	●	● (with modified vice)	●	● (with modified vice)
Competitive Keyways	●	—	●	—
Compatible with Existing Systems	●	●	●	—

Interchangeable Core

Mortise Cylinder Housing

General Specifications

Body – Brass, 1-5/32" (29.37mm) diameter

Furnished with – Cam (specify) and cylinder collar 16-113A, less core.

Length – 1-1/8" (28.58mm) 1-1/4" (31.75mm) 6 or 7 pin. Tapered and drill resistant available. 1-5/16" 6 pin hotel function only.

Finish

US3, US4, US10, US10B, US26, US26D



CI6CR - 27DX001 cam shown

Rim Cylinder Housing

General Specifications

Body – Brass 1-5/32" (29.37mm) diameter

Furnished with – Blackplate, cylinder collar 16RC-113, 2 screws, 1-3/4" (44.45mm) door tailpiece #C16RCR-44, less core

Length – 6 or 7 pin. Drill resistant available.

Finish

US3, US4, US10, US10B, US26, US26D



Base Keys

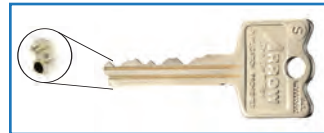
Arrow keyways–1C, 1D (standard), and restricted keyways (consult factory for availability).

Competitive keyways–A, B, C, D, E, F, G, H, J, K, L, M, Q.



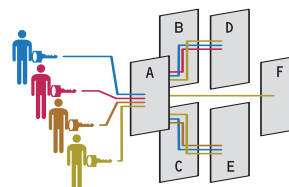
Flex Keys

Arrow Keyways–consult factory.



Dualevel masterkeying capabilities:

The unique pin assembly runs through the center of the core keyway preventing standard I.C. core keys from entering the lock cylinder. Only the patented Flexcore key can operate locks with the Flexcore cylinder. Flexcore can be used with standard interchangeable cores to form a dual level security system.



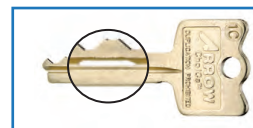
- Maintenance (A, B, C, D, E)
- Supervisor A (A, B, D)
- Supervisor B (A, C, E)
- General Manager (All doors)†

† Door "F" uses Flexcore within masterkey system.

Plus Keys

Arrow keyways–1C, 1D (standard), and restricted keyways–consult factory for availability.

Competitive keyways–A, B, C, D, E, F, G, H, J, K, L, M, Q.



Interchangeable Core

Locksets

Arrow interchangeable core locking hardware offers unequalled convenience and versatility. Grade 1 and 2 levers and knobs as well as auxiliary locks and padlocks, provide virtually limitless specification options. Mortise and rim cylinder housings enable any Arrow keyed mortise lock, exit alarm and panic device to be part of our interchangeable core offering. Translated, Arrow interchangeable core products are available in a wide variety of products designed to meet most any requirement. LFIC (Large format Interchangeable Core) levers available.

Q Series

LFIC available -
Sierra only



Broadway

Sierra

Ventura

H Series



Tudor

W Series

LFIC available -
Sierra only



Broadway

Sierra

Ventura

S Series



Tudor

ML Series

LFIC available -
Sierra only



Broadway

Sierra

Ventura

MK Series



Tudor

Grade 1 & Grade 2 Interchangeable Core Available Functions & Designs

FUNCTION	11 Entrance	12 Store- room	13 Exterior	14 Service Station	15 Hotel (6 pin only)	17 Class- room	18 Commun- icating	19 Dormitory	31 Commun- icating	32 Public Entry	33 Asylum	34 Exterior	35 Exterior
KNOB													
H Series	•	•	•	•	•	•	•	•	••	••	••		••
S Series	•	•	•			•		•	••	••	••		••
MK Series	•	•	•	•		•	•		••	••	••	••	
LEVER													
Q Series	•	•	•	•	•	•		•	••	••	••		••
W Series	•	•	•	•	•	•		•	••	••	••		••
ML Series	•	•	•	•	•	•			••	••	••		••

• Single cylinder function

•• Double cylinder function

Mortise Locks

AM Series

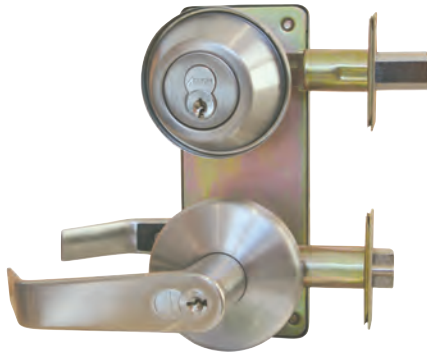


BM Series



All keyed functions will accept interchangeable core mortise cylinder housing C16CR-16 or C16CR-27.

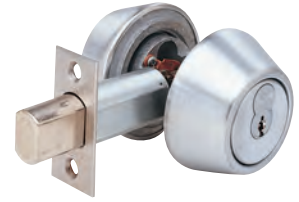
JL Series Interconnected Locks



JL Series Sierra Lever Lockset will accept 6 pin or 7 pin, Interchangeable Core.

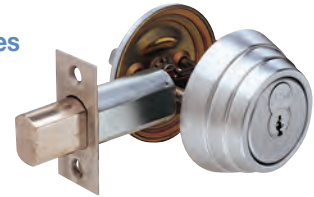
Auxiliary Locks

D Series



Accepts 6 pin or 7 pin interchangeable core.

E Series



Accepts 6 pin or 7 pin interchangeable core.

N Series



Accepts C16CR interchangeable core mortise cylinder housing.

Auxiliary Lock Functions

D SERIES	E SERIES	N SERIES	FUNCTION
D61	E61	N41	Single Cylinder
D62	E62	N42	Double Cylinder
D63	E63	N43	Single Cylinder
D64	E64	N44	Classroom

Panic Device Trim



All panic devices with keyed exterior trim (03, 05, 08) will accept IC core rim or mortise housing. 1150 & 1250 will accept TA knob exterior trim with IC core or SR or BRR lever with IC core. SF03 pull trim will accept C16RCR IC core rim cylinder housing.

Exit Alarm

Exit Alarm Functions

SERIES	INSIDE	OUTSIDE	
		SF03	SR/BR/TA
110	C16CR	C16RCR	•
130	C16CR	C16RCR	•
320	C16CR	C16RCR	••
330	C16CR	C16RCR	••
420	C16CR	C16RCR	••
430	C16CR	C16RCR	••



All exit alarms accept 1-1/8" mortise cylinder housing (order separately).

Outside pull trim (SF03) uses IC core rim cylinder (C16RCR), knob/lever Classroom (17 function) or Storeroom (12 function) with 6 or 7 pin core.

Padlocks

Padlock

EPC-1-IC	1" Shackle
EPC-2-IC	2" Shackle
EPC-3-IC	3" Shackle

Accepts 6 pin or 7 pin interchangeable core.



General Specifications

914N – Adjustable for spring sizes 1-4. Meets 5lbs., maximum opening force for interior doors, and 8.5lbs., maximum opening force for exterior doors.

936N – Adjustable for spring sizes 3-6 to meet a variety of on-site conditions.

Handing – Non-handed for regular, top jamb and parallel arm mount applications.

Adjusting Valves – Two non-critical adjusting valves (sweep and latch) work to provide consistent closing needs through a wide range of temperatures.

Packaging – 1 per box, 6 per master carton.

Warranty – 10 years.

Finish

Aluminum (689) AL, Dark Bronze (690) DBZ, Light Bronze (691) LBZ, Gold (696) GL and Black (693) BLK.

Certification & Compliance

- All 900N Series closers are UL and CUL listed for use on 3 hour or lesser doors. They conform to the requirements of ANSI A156.4, Grade1, and meet the requirements of UL10C and UBC7.2 (1997) for positive pressure.
- 914N closers meet the standard of ANSI A117.1 for barrier free accessibility.



Tri-pack configurations

Description	Part No.
Standard arm, sizes 1-4	914N
Standard arm, sizes 3-6	936N
Hold-open arm, sizes 1-4	914NH
Hold-open arm, sizes 3-6	936NH

Parts & accessories

Description	Part No.
Drop plate	936DP
914N Closer body	914BO
936N Closer body	936BO
Through-bolts for 1-3/8" thick door	5016TB38
Through-bolts for 1-3/4" thick door	5016TB34
Complete (tri-pack) standard arm assembly	5016CNA
Complete (tri-pack) hold-open arm assembly	5016CHA

General Specifications

5016N – Adjustable for spring sizes 1-6. Meets 5lbs., maximum opening force for interior doors, and 8.5lbs., maximum opening force for exterior doors. Designed to minimize change in closing speed during severe temperature changes.

Handing – Non-handed for regular, top jamb and parallel arm mount applications.

Backcheck – Adjustable backcheck is standard. Provides cushioning for uncontrolled door openings. Backcheck positioning valve is standard. Maintains effective backcheck range on parallel arm applications. Valve is accessible while the closer is installed.

Adjusting Valves – Available with optional delayed action adjusted with separate independent valve. Delays door closing to allow unimpeded passage through the opening.

Covers – Available with streamline or full plastic cover.

Packaging – 1 per box, 4 per master carton.

Warranty – 10 years.

Finish

Aluminum (689) AL, Dark Bronze (690) DBZ, Light Bronze (691) LBZ, Gold (696) GL and Black (693) BLK.

Certification & Compliance

5016N Series closers are UL and CUL listed for use on 3 hour or lesser doors. They are certified to the requirements of ANSI A156.4, Grade1, and meet the standards for UL10C and UBC7.2 (1997) for positive pressure. The 5016N Series also meets the standard of ANSI A117.1 and ADA for barrier free accessibility.

Parts & accessories

Description	Part No.
Drop plate	5016DP
Full plastic cover	5016FC
Slim plastic cover	5016SC
5016N Closer body	5016BO
5016N Closer body with delayed action	5016BOD
Through-bolts for 1-3/8" thick door	5016TB38
Through-bolts for 1-3/4" thick door	5016TB34
Complete (tri-pack) standard arm assembly	5016CNA
Complete (tri-pack) hold-open arm assembly	5016CHA
Door saver arm assembly, non-hold-open	5016CDNA
Door saver arm assembly, hold-open	5016CDHA



Configurations

Tri-pack Models – Sizes 1-6	Part No.
Standard arm, slim plastic cover	5016NS
Standard arm, full plastic cover	5016N
Standard arm, slim plastic cover, delayed action	5016NSD
Standard arm, full plastic cover, delayed action	5016ND
Hold-open arm, slim plastic cover	5016NSH
Hold-open arm, full plastic cover	5016NH
Hold-open arm, slim plastic cover, delayed action	5016NSHD
Hold-open arm, full plastic cover, delayed action	5016NHD

Door Saver Parallel Arm Models - Sizes 1-6	Part No.
Slim plastic cover	5016NPS
Full plastic cover	5016NP
Slim plastic cover, delayed action	5016NPSD
Full plastic cover, delayed action	5016NPD
Hold-open arm, slim plastic cover	5016NPSH
Hold-open arm, full plastic cover	5016NPH
Hold-open arm, slim plastic cover, delayed action	5016NPSHD
Hold-open arm, full plastic cover, delayed action	5016NPHD



Exit Devices 100 series exit alarm

General Specifications

Chassis – Non-ferrous alloy cover and base, 8-3/8" (212.72 mm) x 2" (50.8 mm) x 2-5/8" (66.67 mm). Tamper-proof cover screw sets unit into alarm upon unauthorized removal of the cover.

Power/Electronics – 9 volt battery powered. Modern, solid state electronics. Magnet activated.

Doors – For inward or outward swinging doors with 4" minimum stile.

Alarm/Horn – Alarm sounds for 2 minutes, shuts off and automatically rearms itself. Piercing, high frequency horn. Rated for 90 decibels at 6 feet.

Cylinders – Inside cylinder operation to arm or disarm unit using 1-1/8" (28.57 mm) mortise cylinder. Outside rim cylinder operation standard. (Order cylinders separately).

Hand – Non-handed.

Features

110 Series – Push button test to determine available battery power.

130 Series – 15 second delay upon arming permits key holder to exit door without sounding alarm.

Low battery alert causes unit to chirp intermittently to indicate low battery power.

Red LED indicator flashes when violation occurs. Light continues to flash beyond alarm cycle and can only be turned off by the inside key.

Finish

Powder coated painted finishes: AL BRZ, RD.

Hardware finishes: US10, US10B, US26, US26D.



Exit Devices 300 series exit alarm

General Specifications

Chassis – Paddle, chassis and cover made from a non-ferrous alloy. Cover 12-3/4" (323.85 mm) x 2" (50.8 mm) x 2-5/8" (66.67 mm); paddle projection 3-1/4" (88.25 mm); length to end of paddle 10-3/8" (263.52 mm).

Power/Electronics – 9 volt battery powered. Modern solid state electronics.

Latch – 3/4" (19.05 mm) latchbolt monitored by an electronic sensor switch. Any unauthorized movement of the latchbolt will cause unit to go into alarm.

Doors – For outward swinging doors 1-3/4" (44.45 mm) thick with a 4" minimum stile.

Alarm/Horn – Alarm sounds for 2 minutes, shuts off and automatically rearms itself. Piercing, dual frequency pulsating horns. Rated for 90 decibels at 6 feet.

Cylinders – Inside cylinder operation to arm or disarm unit using 1-1/8" (28.57 mm) mortise cylinder. (Order cylinder separately).

Hand – Reversible. Units are packed RHRB.

Features

Model 320 – Auto relatching.

Red LED indicator flashes when violation occurs. Light continues to flash beyond alarm cycle and can only be turned off by the inside key.

One chassis will accept all available trim options.

Unit must be activated to test available battery power.

Model 330 – Contains same features as the 320.

Low battery alert feature causes unit to chirp intermittently to indicate low battery power.

Finish

Powder coated painted finishes: AL, BRZ, RD.

Hardware finishes: US10, US10B, US26, US26D.

Certification & Compliance

UL listed. Designed to meet ANSI 156.5-1984 and A117.1-1980 for Accessibility Standards.





General Specifications

Chassis – Chassis and cover made from a non-ferrous alloy, 12-3/4" (323.85 mm) x 2" (50.8 mm) x 2-5/8" (66.67 mm).

Touchbar – Rolled steel touchbar assembly to fit 30" (762.0 mm) to 36" (914.40 mm) door furnished standard. Bars to fit 24" (609.60 mm) to 30" (762.0 mm) and 37" (939.80 mm) to 48" (1219.20 mm) available. Can be cut to size in the field. Specify door width.

Power/Electronics – 9 volt battery powered. Modern, solid state electronics.

Latch – 3/4" (19.05 mm) latchbolt monitored by an electronic sensor switch. Any unauthorized movement of the latchbolt will cause the unit to go into alarm.

Doors – for outward swinging doors 1-3/4" (44.45 mm) thick with 4" (101.60 mm) minimum stile.

Horn/Alarm – Piercing, dual frequency pulsating horns. Rated for 90 decibels at 6 feet. Alarm sounds for two minutes then, shuts down and rearms automatically. A 15 second delay feature allows authorized egress without sounding alarm.

Cylinders – Inside cylinder operation to arm or disarm unit using a 1-1/8" (28.57 mm) mortise cylinder. (Order cylinder separately).

Hand – Reversible. Unit is packed RHRB.

Certification and Compliance – UL listed for exit hardware. Also available UL rated for fire exit hardware (Prefix "F" to model number). Designed to meet ANSI 156.3-1984 and A117.1-1980 for Accessibility Standards. Packed - 1 each.

Features

Model F420 – Fire rated.

Model 420 – Red LED indicator flashes when violation occurs. Light continues to flash beyond alarm cycle and can only be turned off by the inside key.

Units set up to accept outside cylinder operation as standard.

One chassis will accept all available trim options.

Unit must be activated to test available battery power.

Model F430 – Fire rated.

Model 430 – Contains same features of the 420.

Low battery alert feature causes unit to chirp intermittently to indicate low battery power.

Finish

Powder coated painted finishes: AL, BRZ, RD.

Hardware finishes: US10, US10B, US26, US26D.

Trim

Exit Alarm Trim

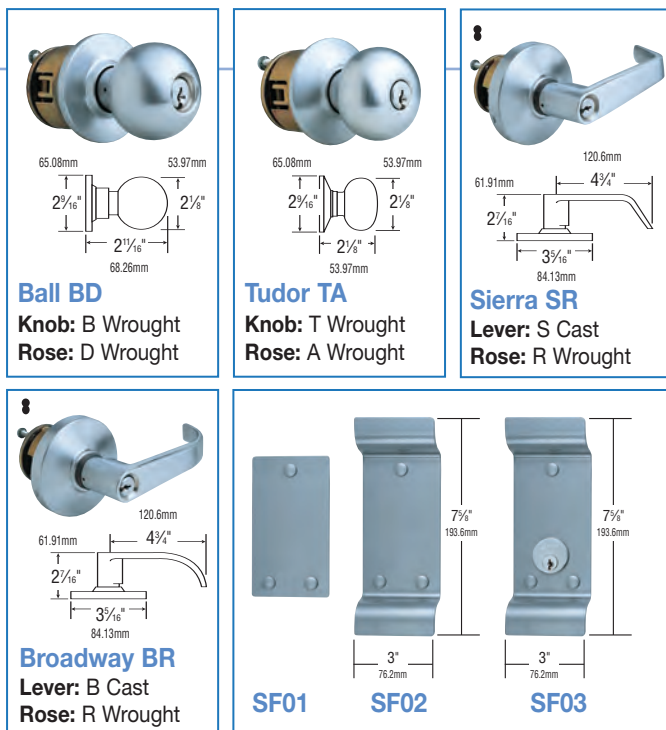
Matching trim available to complement other series of cylindrical locks, B Series Mortise locks, exit devices and alarms.

Ordering information:

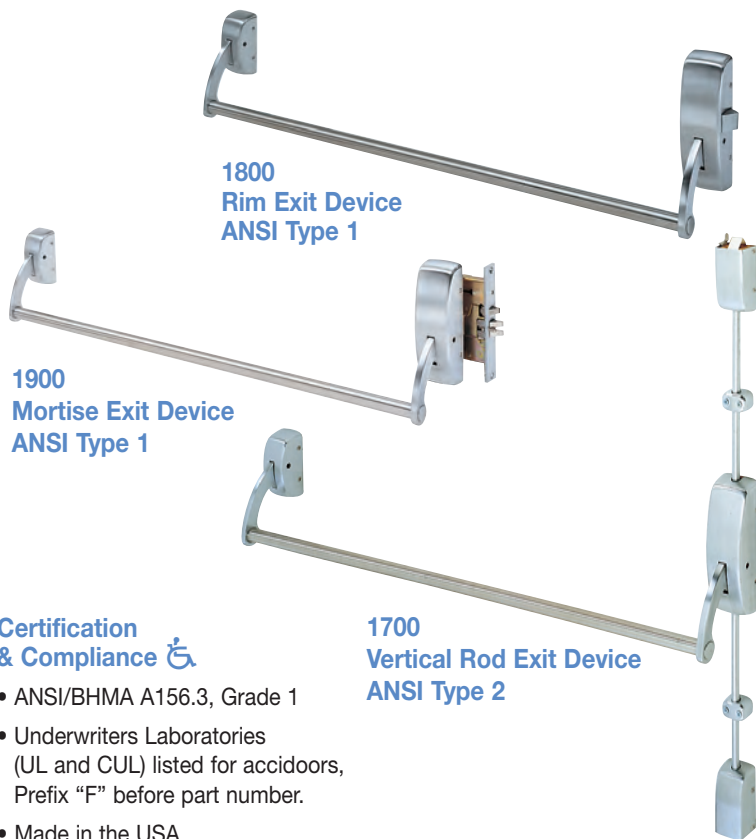
When ordering trim, specify design symbol and function, eg: **BR12**, if specifying **Broadway** lever in **Storeroom** function.

Finish

US3, US10, US10B, US26, US26D. (Knobs and levers)
AL, BRZ, RD. (SF Trim)




Exit Devices 1700, 1800, 1900 series

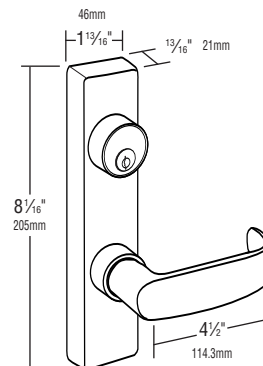


Arrow 1000 & 3000 Series

Exit Device Trim Slip-Clutch Lever Design

- Slip-clutch is built in beneath security collar added to shank of lever.
- Available for use with SL03 and SL08 exit device trim for 1000 and 3000 Series Exit Devices. (Not available for S1150 or S1250 Series devices.)
- 

Vandal-resistant slip-clutch lever releases when excessive force is applied without retracting latch. Easily reset by returning lever to horizontal position.



Certification & Compliance

- ANSI/BHMA A156.3, Grade 1
- Underwriters Laboratories (UL and CUL) listed for accidoors, Prefix "F" before part number.
- Made in the USA.

General Specifications

	1700	1800	1900
Chassis	Pressure formed non-ferrous alloy	Pressure formed non-ferrous alloy	Pressure formed non-ferrous alloy
Chassis and end covers	Cold drawn brass, bronze or stainless steel	Cold drawn brass, bronze or stainless steel	Cold drawn brass, bronze or stainless steel
Door Thickness	1-3/4" (44.45mm) standard, available for thick doors	1-3/4" (44.45mm) standard, available for thick doors	1-3/4" (44.45mm) standard, available for thick doors
Handing	Handed. Specify LHRB or RHRB	Handed. Specify LHRB or RHRB	Handed. Specify LHRB or RHRB
Dogging	Allen type only.	Allen type only.	Allen type only.
Top/Bottom Bolts	Brass	N/A	N/A
Latchbolt	N/A	Stainless steel, 5/8" (15.875mm) throw	Brass, 3/4" (19.05mm) throw
Crossbar Arms	Forged brass and stainless steel	Forged brass and stainless steel	Forged brass and stainless steel
Crossbar	1" (25.40mm) brass, bronze and stainless steel tubing, .062" (1.5875mm) thick	1" (25.40mm) brass, bronze and stainless steel tubing, .062" (1.5875mm) thick	1" (25.40mm) brass, bronze and stainless steel tubing, .062" (1.5875mm) thick
Crossbar projection	4-1/2" (114.3mm) neutral, 2-3/4" (69.85mm) depressed	4-1/2" (114.3mm) neutral, 2-3/4" (69.85mm) depressed	4-1/2" (114.3mm) neutral, 2-3/4" (69.85mm) depressed
Opening Height	90" (2286.00mm) standard	N/A	N/A
Fire Exit Hardware-up to:	4' x 7'2" single door 8' x 7'2" pairs of doors	4' x 7'2" single door 8' x 7'2" pairs of doors with S21 mullion	4' x 7'2" single door 8' x 7'2" pairs of doors (with 1700-FR)
Trim	See trim pages 40, 41 & 42	See trim pages 40, 41 & 42	See trim pages 40, 41 & 42
Finish	US3, US4, US10, US10B, US26, US26D	US3, US4, US10, US10B, US26, US26D	US3, US4, US10, US10B, US26, US26D



Exit Devices 3000 series

3880
Rim Exit Device



3700
Concealed Vertical Rod
Exit Device.



3600
Vertical Rod Exit Device



3900
Mortise Exit Device



General Specifications

	3600	3700	3800	3900
Chassis	Non-ferrous alloy	Non-ferrous alloy	Non-ferrous alloy	Non-ferrous alloy
Chassis cover	Cold drawn brass, bronze or stainless steel	Cold drawn brass, bronze or stainless steel	Cold drawn brass, bronze or stainless steel	Cold drawn brass, bronze or stainless steel
Door Types	Hollow metal or aluminum	Wood or metal	Wood or metal	Wood or Metal
Door Thickness	1-3/4" (44.45mm) standard	1-3/4" (44.45mm) standard up to 2-1/4" (57.15mm) available	1-3/4" (44.45mm) standard up to 2-1/4" (57.15mm) available	1-3/4" (44.45mm) standard up to 2-1/4" (57.15mm) available
Stile	4-1/2" (144.30mm) minimum	4-1/2" (144.30mm) minimum with trim, 3-1/2" (88.90mm) minimum without trim.	See trim page for stile dimensions	4-1/2" (144.30mm) minimum
Mounting	Supplied with machine screws	Supplied with wood and machine screws. Available with thru bolts.	Supplied with wood and machine screws. Available with thru bolts	Supplied with wood and machine screws. Available with thru bolts.
Handing	Handed. Specify LHRB or RHRB	Handed. Specify LHRB or RHRB	Handed. Specify LHRB or RHRB	Handed. Specify LHRB or RHRB.
Dogging	Allen type standard. Available with cylinder dogging (prefix "CD")	Allen type standard. Available with cylinder dogging (prefix "CD")	Allen type standard. Available with cylinder dogging (prefix CD)	Allen type standard. Available with cylinder dogging (prefix CD)
Top/Bottom Bolts	Stainless Steel	Brass	N/A	N/A
Latchbolt	N/A	N/A	Stainless steel, 3/4" (19.05mm) throw	Brass, 3/4" (19.05mm) throw
Rail	Roll-formed brass, bronze or stainless steel	Roll-formed brass, bronze or stainless steel	Roll-formed brass, bronze or stainless steel	Roll-formed brass, bronze or stainless steel
Rail Projection	3-1/4" (82.55mm) maximum	3-1/4" (82.55mm) maximum	3-1/4" (82.55mm) maximum	3-1/4" (82.55mm) maximum
Opening Height	96" (2438.40mm) standard	90" (2286.00mm) standard	N/A	N/A
Fire Exit Hardware-up to:	4' x 10' single door 8' x 10' pairs of doors	4' x 8' single door 8' x 8' pairs of doors	4' x 8' single door 8' x 8' pairs of doors with S21 mullion.	4' x 10' single 8' x 10' pairs of doors (with 3600-FR) 8' x 8' pairs of doors (with 3700-FR)
Trim	See trim pages 40, 41 & 42	See trim pages 40, 41 & 42	See trim pages 40, 41 & 42	See trim pages 40, 41 & 42
Finish	AL, US3, US4, US10, US10B, US32, US32D	AL, US3, US4, US10, US10B, US32, US32D	AL, US3, US4, US10, US10B, US32, US32D	AL, US3, US4, US10, US10B, US32, US32D

Exit Devices 4000 series

4800
Narrow Stile Rim Exit Device



4600 Narrow Stile Concealed Vertical Rod Device



4900
Narrow Stile Mortise Device



Certification & Compliance

- ANSI/BHMA A156.3, Grade 1
- ANSI A117.1 Accessibility Code
- Underwriters Laboratories (UL and CUL) listed for accident hazard (panic) standard.
- Fire Exit hardware for hollow metal doors, UL and CUL listed for 3 hour, A label and lesser doors, Prefix "F" before part number.
- Fire Exit hardware for wood doors, listed up to 1-1/2 hour, B label doors.
- All exit devices comply with life safety code NFPA 101.
- All fire rated devices comply with fire door and window code NFPA80.

General Specifications

	4600	4800	4900
Chassis	Non-ferrous alloy	Non-ferrous alloy	Non-ferrous alloy
Chassis cover	Cold drawn brass, bronze or stainless steel	Cold drawn brass, bronze or stainless steel	Cold drawn brass, bronze or stainless steel
Door Types	Hollow metal or extruded aluminum	Wood, hollow metal or extruded aluminum	Wood or hollow metal
Door Thickness	1-3/4" (44.45mm) minimum	1-3/4" (44.45mm) minimum	1-3/4" (44.45mm) standard, up to 2-1/4" (57.15mm) available
Stile	Must be hollow, with inside dimension of at least 1-1/4" (31.75mm) at stile width and 1-3/8" (34.925mm) at thickness	1-3/4" (44.45mm) minimum	4-1/2" (114.30mm) minimum
Mounting	Supplied with machine screws	Supplied with wood and machine screws. Available with thru bolts.	Supplied with wood and machine screws. Available with thru bolts.
Handing	Handed. Specify LHRB or RHRB	Handed. Specify LHRB or RHRB	Handed. Specify LHRB or RHRB
Dogging	Allen-type standard. Available with cylinder dogging (prefix CD)	Allen-type standard. Available with cylinder dogging (prefix CD)	Allen-type standard. Available with cylinder dogging (prefix CD)
Top/bottom bolts	Stainless steel	N/A	N/A
Latchbolt	N/A	Stainless steel, 3/4" (19.05mm) throw	Brass, 3/4" (19.05 mm) throw
Rail	Roll formed brass, bronze or stainless steel	Roll formed brass, bronze or stainless steel	Roll formed brass, bronze or stainless steel
Rail Projection	3-1/4" (82.55mm) maximum	3-1/4" (82.55mm) maximum	3-1/4" (82.55mm) maximum
Opening Height	96" (2438.40mm) standard	N/A	N/A
Fire Exit Hardware—up to:	4' x 10' single door 8' x 10' pairs of doors	N/A N/A	4' x 8' single door 8' x 8' pairs of doors
Trim	See trim pages 40, 41 & 42	See trim pages 40, 41 & 42	See trim pages 40, 41 & 42
Finish	US3, US4, US10, US10B, US26, US26D	US3, US4, US10, US10B, US26, US26D	US3, US4, US10, US10B, US26, US26D



S1150
Vertical Rod Exit Device

S1250
Rim Exit Device

General Specifications

	S1150	S1250
Chassis & Cover	Non-ferrous alloy	Non-ferrous alloy
End caps	Metal	Metal
Doors	1-3/4" (44.45mm) thick, 3-3/4" for single doors, wood or hollow metal 3-1/2" (88.90mm) minimum stile for double doors	1-3/4" (44.45mm) thick, hollow metal 4-1/2" (114.3mm) minimum stile
Handing	Reversible	Non-handed
Dogging	Allen-type key standard, cylinder available.	Allen-type key standard, cylinder available.
Top/Bottom Bolts/ Latchbolt	Brass 1/2" (12.7mm) throw top, 3/4" (19.05mm) bottom	3/4" (19.05mm) throw, stainless steel
Throughbolts	Order separately	Order separately
Rail Assembly	Steel	Steel
Rail Size	F Rail furnished standard for doors up to 36", can be cut down to accommodate 32" doors. E Rail for doors up to 32", can be cut down to accommodate 24" doors. G Rails for doors up to 48", can be cut to accommodate 36" doors.	F Rail furnished standard for doors up to 36", can be cut down to accommodate 32" doors. E Rail for doors up to 32", can be cut down accommodate 24" doors. G Rail for doors up to 48", can be cut to accommodate 36" doors.
Rods	90"-extension kits available	N/A
Trim	See trim page 35	See trim page 35
Finish	AL, BRZ, Powder Coat, LBZ, (sprayed finishes)	AL, BRZ, LBZ, SS (sprayed finishes)



 <p>Auxiliary Outside Control</p>	 <ul style="list-style-type: none"> • S311—Use with 3700, 3700-FR, 1700, 1700-FR. Key locks or unlocks turn lever. • S312—Use with 3700, 3700-FR, 1700, 1700-FR. Turn lever operative only with key in cylinder and turned. • S411—Use with 3600, 3600-FR, 4600-FR. Key locks or unlocks turn lever. • S412—Use with 3600, 3600-FR, 4600-FR. Turn lever operative only with key in cylinder and turned. • S511—Use with 4600. Key locks or unlocks turn lever. • S512—Use with 4600. Turn lever operative only with key in cylinder and turned.
---------------------------------------------------------------------------------------------------------------------------	----------------------------------------------------------------------------------------------------------------------------------------------------------------------------------------------------------------------------------------------------------------------------------------------------------------------------------------------------------------------------------------------------------------------------------------------------------------------------------------------------------------------------------------------------------------------------------------------------------------------------------------------------------------------------------------------------------------------------------------

 <p>SP</p>	 <p>SP02</p>	 <p>SP03</p>	 <p>SP05A</p>	 <p>SP05</p>
 <p>SS</p>	 <p>SS02</p>	 <p>SS03</p>	 <p>SS05A</p>	 <p>SS05</p>
 <p>SN</p>	 <p>SN02</p>	 <p>SN03</p>	 <p>SN05A</p>	 <p>SN05</p>



<p>SB</p>	<p>SB02</p>	<p>SB03</p>	<p>SB05A</p>	<p>SB05</p>
<p>SK</p>	<p>SK02</p>	<p>SK03</p>	<p>SK08A</p>	<p>SK08</p>
<p>SL</p>	<p>SL02</p>	<p>SL03/SL83</p>	<p>SL08A/SL88A</p>	<p>SL08/SL88</p>
<p>SW S</p>	<p>SW S</p>	<p>SW L</p>	<p>SW L</p>	

Exit Device Type

ANSI TYPE	ARROW DEVICE
Type 1 Rim	1200, 1800, 3800
Type 2 Surface Vertical Rod	1100, 1700, 3700
Type 3 Mortise	1900, 3900
Type 4 Narrow Stile Rim	4800
Type 6 Narrow Stile Concealed Vertical Rod	4600
Type 8 Metal Door Concealed Vertical Rod	3600
Type 10 Narrow Stile Mortise	4900
Type 22 Removable Mullion	20, 21

Exit Device Function

ANSI	ARROW FUNCTION
01 Exit only; no outside trim	01, 03
02 Entry by trim when actuating bar is locked	01, 02, 03
03 Entry by trim when latchbolt retracted by key. Key removable only when trim is locked.	03
05 Entry by thumbpiece when thumbpiece locked/unlock by key.	05
05A Entry by thumbpiece; thumbpiece always operative, no outside cylinder.	5A
08 Entry by knob/lever; outside key locks, unlocks knob/lever.	08
08A Entry by knob/lever; outside knob/lever always operative.	08A
11 Entry by auxiliary control turnpiece key locks, unlocks control.	11
12 Entry by auxiliary control turnpiece only when released by turning key. Key removable only when locked.	12

Exit Device Trim Functions

Function	1700/1700-FR	1800/1800-FR	1900/1900-FR
02*	SP, SS, SB, SN, SN, SK, SL, SW	SP, SS, SB, SN, SK, SL, SW	SP, SS, SB, SN, SK, SL, SW
03	N/A	SP, SS, SB, SN, SK, SL, SW	SP, SS, SB, SN, SK, SL, SW
05	SP, SS, SB, SN	SP, SS, SB, SN	SP, SS, SB, SN
05A	SP, SS, SB, SN	SP, SS, SB, SN	SP, SS, SB, SN
08	SK, SL	SK, SL	SK, SL
08A			
11	S311	N/A	N/A
12	S312	N/A	N/A

Function	3600/3600-FR	3700/3700-FR	3880/3880-FR	3900/3900-FR
02*	SL, SW	SP, SS, SB, SN, SK, SL, SW	SP, SS, SB, SN, SK, SL, SW	SP, SS, SB, SN, SK, SL, SW
03	N/A	N/A	SP, SS, SB, SN, SK, SL, SW	SP, SS, SB, SN, SK, SL, SW
05	N/A	SP, SS, SB, SN	SP, SS, SB, SN	SP, SS, SB, SN
05A	N/A	SP, SS, SB, SN	SP, SS, SB, SN	SP, SS, SB, SN
08	SL	SK, SL	SK, SL	SK, SL
08A	SL	SK, SL	SK, SL	SK, SL
11	S411	S311	N/A	N/A
12	S412	S312	N/A	N/A

Function	4600/4600*-FR	4800	4900/4900-FR
02*	SL, SW	SL, SW	SP, SS, SB, SN, SL, SW
03	N/A	SL, SW	SP, SS, SB, SN, SL, SW
05	N/A	N/A	SP, SS, SB, SN
05A	N/A	N/A	SP, SS, SB, SN
08	SL	SL	SL
08A	SL	SL	SL
11	S511/UL-S411	N/A	N/A
12	S512/UL-S412	N/A	N/A

*02 not available fire rated.



**For more information regarding Arrow locksets,
exit devices, door closers and key systems,
contact your authorized Arrow distributor.**

ARROW USA: PHONE 800-839-3157 • FAX 800-421-6615
ARROW CANADA: PHONE (905) 940-2040 • FAX (905) 940-3242
VISIT US AT OUR WEBSITE: WWW.ARROWLOCK.COM

